

EYE CONTACT

Shadowbox 1

By Rafael Lozano-Hemmer

CONTENTS

General important information

This short section must be read for proper operation

Description
Operation
Cleaning
Placement Instructions
Software

Detailed technical information

A technical reference for preservation, maintenance and troubleshooting

Components of the piece
Troubleshooting
Appendix 1 – Plasma mount technical sheet and installation manual
Appendix 2 – Technical data sheet for AVT industrial camera
Appendix 3 – Optics data sheet
Appendix 4 – Shadowbox inside, cabling diagram and photographs

General important information

Eye Contact, Shadowbox 1 (2006), high-resolution display with integrated computerized tracking system, 104.5 x 80 x 12 cm.

Edition of 6 +1AP

By Rafael Lozano-Hemmer

Description

Eye Contact is the first piece of the ShadowBox series of interactive displays with a built-in computerized tracking system. This piece shows eight hundred simultaneous videos of people lying down, resting. As soon as a public member is detected his or her presence triggers the miniature video portraits to wake up: hundreds of people simultaneously turn to look at the visitor directly, creating an uncanny experience that questions who is the observer and who is the observed. This piece is derived from the public art project "Under Scan" premiered in England in 2005.

ShadowBox series: Stemming from Lozano-Hemmer's interest in portraiture, surveillance and phantasmagoria, ShadowBoxes are autonomous artworks but often are used as "platforms" or "digital sketches" for larger installations or environments.

Operation

1. Connect the box to electrical power using the supplied power cable. The Shadowbox comes with a standard IEC C14 chassis plug, which is found in most computers (see image below).

You may connect the piece to 100-120V 60Hz (American) or to 210-240V 50Hz (European) current, as all the gear inside has auto switching power supplies. The whole piece draws around 300W.

2. To turn the piece ON, firmly press the button that is on the lower back of the piece, on the right side. *Important note: Once the button is pushed it takes up to 4 minutes for the display to start-up. Please do not push the button again as you will shut down the piece.*

3. To turn the piece OFF, press the power button once.

Cleaning



Please do not clean the display surface with Windex or soap. Use a lint-free cloth and LCD screen liquid cleaner, such as Kensington Screen Guardian found in computer stores. The aluminium frame can be cleaned with a wet cloth and a bit of liquid soap.

Placement Instructions

The piece should be hung with the centre at 152 cm (60 inches) from the ground, using the provided “Peerless” plasma mounting system. Instructions for this are included in Appendix 1 of this manual. Ideally the piece should be mounted taking into consideration the following issues:

1. Place in a room that does not receive too much direct sunlight. The tracking system for the camera adapts to changing lighting conditions, for instance if a lighting fixture is added to the room the system will automatically remove the effects of this new light after a few minutes. However, if direct sunlight comes into the room and there are some clouds in the sky it is possible that the system will track on the shadows of the clouds as these potentially move too fast for the system to remove them from the background. In that case you will see the shadows of the clouds represented in the display (which is not a huge issue but aesthetically it is nicer if the display is only showing people).
2. Place so that the piece does not face a moving object such as a kinetic sculpture, a TV monitor, a visible elevator, a fluttering curtain, etc. Basically, the system will track anything that moves in front of the camera and try to represent it. The only things it will ignore are those that are completely static. If the piece is in front of a TV monitor, for example, it will try to represent the changing image by triggering videos (again this is not a huge issue but aesthetically it is nicer if the display is only showing people).
3. Ensure there is enough lighting in the room, in particular right in front of the piece. Just like a painting or a photograph should be lit to be seen properly, a Shadowbox contains a camera that needs to see the public properly. If the room does not have nice even illumination throughout you may want to add a fluorescent or dim floodlight, —on the same wall as the piece—, that illuminates the viewer. Try to avoid illuminating the piece itself directly; instead concentrate on illuminating the viewer’s face and body. One way to do this, if the wall is white, is to “bounce” the light on the wall, by pointing a spot so that it shines directly over the piece and the bounced light hits the viewer. Please note that the lighting does not need to be very bright (it is useful to see the actual camera view to see how much light is needed, this is explained below in the “software settings” section).
4. If the piece will be placed on a corridor, it would be better to mount it on a sidewall rather than the end of the corridor. This is because if the piece is at the end of the corridor the camera will be able to see other people who might be behind the person who is in front of the work, —these additional people in the background will be tracked and shown on the display which might be a bit confusing for the main viewer. Of course, this would not be an issue in a residence or place without too much traffic, but in a museum, atrium or public place, please consider placing the piece on a wall that is facing another wall that is not too far away, to minimize how many people might be behind the main viewers of the work.

Software

The piece includes custom-made software that automatically starts up and self-calibrates. However, there are some software tools that may be useful if you would like to optimize the performance of the system. To change settings in the software, plug the included mouse on the USB port that is underneath the Shadowbox (please note that under the piece there are two

ports one is USB and the other is an RJ45 port for Ethernet).

Once the mouse is connected you may right click to reveal a pop-up menu (it may take a couple of seconds for the pop-up to appear). There are three choices:

1. Recalibrate in 3 seconds (stand away from camera) – This forces the system to take a reference picture that is used to determine what is the background that should be ignored. For example, if you place a chair in front of the piece it will track on it and trigger videos for it. If you leave the chair there for one and a half minutes and nothing moves then the system will automatically decide that the chair is now a part of the background and stop tracking it. Now, you can right click and select “recalibrate” for the system to do this without waiting a minute and a half. When you select “recalibrate” the system will give you 3 seconds so that you can move away from the camera view, as what we want is for the reference image to only have a background to delete. Since the field of view of the camera is quite wide, the best “place to hide” from the camera is to stand right beside the piece and against the wall where it is hung. A quick “flash” will appear on the display once the reference image has been taken and at that point it is safe to go back in front of the piece to try it. Note: if the system takes a calibration image while you are still standing in the view of the camera you will create a “ghost” which will be triggering videos at the location where you were. You can get rid of this ghost either by waiting 90 seconds for the system to realize that the ghost is not part of the static background or by selecting “recalibrate” again and standing away from the camera view.

2. Settings — Shows a settings window where you can modify the following parameters:

a) Set camera exposure and gain. This is necessary if for instance the video image is too dark or too bright (washed up).

b) Set a detection threshold. This is to increase or decrease the sensitivity of the tracking system to make it more responsive. The lower the threshold the easier it will be to activate video cells, so raise the threshold if too many cells are being triggered. Click on the “Show detected areas” checkbox to see a red overlay that shows you what cells are being triggered. Now that the checkbox is selected the threshold value can be changed.

c) Set the view of the camera. If you click on the live video image you will go to a window that allows you to specify what the camera will actually see. The lens of the camera is very wide, so in this window you can choose a “region of interest” which is what actually will be tracked. The default is a window that takes the lower section of what the camera can see, to accommodate shorter people. It is possible to raise this window or change its size. From this window you can set advanced camera parameters, which should not be necessary.

d) Reset to default settings. This button will call up the factory settings for all parameters.

3. Quit Program – Select this to exit the program entirely, —this will take you to the windows desktop. If you would like to relaunch the program, click on the shortcut icon that is on the desktop. Please note it is not necessary to quit the program to turn the piece off; you can simply press the power button on the back of the shadow box and that will take care of quitting the program and shutting down.

Detailed technical information

Components of the piece

Metal Box

The box has an internal steel frame with black anodized aluminium cover. It has a built-in "Peerless" plasma mount for hanging. A hinge mechanism allows the box to swing open while still hanging on the wall, revealing the components for easy maintenance. To open the box you must unscrew the two flathead screws that are on the left side of the box. The flathead screws are the second from the top and the second from the bottom.

Display

The display is a 30 inch Apple Cinema Display that shows 2560x1600 pixels, —about 2 to 3 times more resolution than a typical plasma screen. The display comes with a one-year warranty and can be easily removed for future replacement. If in the future a higher resolution display is used the software has been programmed to use up future resolutions.

Computer

An Apple MacBook Pro computer is mounted behind the screen. This has 3 Gigabytes of RAM, at least a 2.0GHz dual core Intel processor, at least 128MB of VRAM with a dual DVI graphics link, and both MacOSX and Windows XP SP2 running on bootcamp. The power button of the laptop has been soldered to two wires that are connected to the button on the back of the Shadowbox, so that the laptop can be powered on and off from that button. The computer comes with a one-year warranty and can be easily removed for future replacement. Please note that the computer does not need to be an Apple laptop. At the time of writing Apple was the only manufacturer that made a thin laptop that could run Windows and that had onboard dual DVI graphics port capable of running 2560x1600 pixel resolution. If in the future a PC manufacturer can make a laptop with these capabilities it could be used as a replacement.

Camera

The Shadowbox contains an industrial Guppy F-033C firewire camera by company AVT (Allied Vision Technologies). Specs for this camera are included in Appendix 2. These cameras are available from their North American Distributor:

AVT, North American Office
38 Washington Street #2, Newburyport, MA 01950
Tel: 978-225-2030, Fax: 978-225-2029
www.goavt.com

or from the headquarters:
Allied Vision Technologies GmbH
Taschenweg 2A, 07646 Stadtroda
Phone: +49.36428.677-0, Fax: +49.36428.677-28
www.alliedvisiontec.com

If in the future this camera is not available then it may be replaced by any small format future camera that can give 640x480 pixel resolution at 30Hz and work with Microsoft DirectX.

Optics

The lens used in the shadow box is a 3.9mm Infinite Conjugate MVO micro-video lens from Edmund Optics, part number NT57-683 (74 degree). It is mounted on the camera using a C-Mount adapter, part number 53-675. Specs for both of these are in Appendix 3 of this manual.

Edmund Optics
101 East Gloucester Pike, Barrington, NJ/USA 08007-1380
Phone: (800) 363-1992, Fax: (856) 573-6295
www.edmundoptics.com

Software

The project software is entirely programmed in Delphi and the source code is open to the collector for future compilation to accommodate forthcoming operating systems or hardware. Engineer Conroy Badger programmed the software and he can be contacted through Lozano-Hemmer studio:

Antimodular Inc.
4040 Blvd. St-Laurent, studio 5
Montréal Québec H2W 1Y8 Canada
Tel. 1-514-597-0917
Fax 1-514-597-2092
www.lozano-hemmer.com

A full set of CD-ROMs with software is included.

Troubleshooting

The Shadowbox comes with one Ethernet port underneath that can be used to network the internal computer without needing to open the box. Likewise, a USB connector allows hooking up a mouse or, using the provided USB hub, connect a mouse and a keyboard. The USB port and hub can also be used for updating software that may be shipped in a USB memory drive. Many of the manipulations described below imply that a mouse has been plugged in the USB port of the Shadowbox. We suggest that you use the mouse provided with the Shadowbox, but any 2-button USB mouse equipped with a scroll wheel will work.

The Shadowbox is not turning on

If you press the power button of the Shadowbox while it is plugged to the mains and no changes are apparent, the first step is to wait up to 4 minutes between each firm button press, as it may take some time for the Shadowbox to boot up. If after a couple of tries there is still nothing on the screen, try the following steps.

Check the power outlet that the shadowbox is connected to.

Verify that the power outlet the Shadowbox is plugged into is working properly. Unplug the Shadowbox from it and plug in an electrical device that will allow you to confirm that the outlet is working. When this is done, remove the device and plug the Shadowbox back in firmly. Finally, ensure that this same power cable is nestled properly on the back of the Shadowbox.

It may be that an internal cable has come loose during shipping.

You can swing open the Shadowbox while leaving it on the wall by removing the two square flathead screws on the left side of the Shadowbox and then pulling that side towards the front. Once the piece is opened, check the laptop's power connections, starting from the power connection on the laptop itself, then the connection on its power adapter, and finally the connexion to the power bar. Also, make sure that the button of the Shadowbox is properly installed, that the cables going to it are soldered in place and that they lead to mini-jack connections that are properly nestled. Also verify that the connections to the LCD monitor are in place. The LCD monitor should be connected to the laptop thru the DVI port, which looks like a big white rectangle. It should also be powered to its power adapter, which should, in turn, be connected to the power bar. See the wiring diagram and photographs at the end of this manual to guide you. The problem you are seeing likely has to do with one of these connections being loose. Once the problem has been located, try out the Shadowbox power button again and close it up. If the computer is still not turning on, it may be a problem with the computer itself. Refer to the support section to find out how to contact us, and we will assist you in further troubleshooting options and, ultimately, instructions on how to replace the computer.

Resetting to default settings

If you would like to return the piece to its original default settings you may press the button on the bottom of the settings screen, as described in the software section above. However, if that does not resolve a problem you may be seeing, you may completely wipe out all user configurations as follows: exit the program by using the mouse to right click anywhere and selecting "quit". Once in Windows, go in the root of the Local Disk (C:) and open the folder of this piece. In there you will find a Settings.Cfg file, which contains all your preferences. If you delete this file the system will automatically generate a fresh configuration file that resets everything back to its default values.

Pixels at the edge of high contrast areas

Due to a bug in the video card hardware inside the MacBook Pro, it may be possible that at some point there are some "green pixels" dancing around on the display. To get rid of these please try the following solutions:

a) Unplug the Shadowbox from the wall and plug it in again, —this will force the display to restart while the laptop will remain powered by using its built-in battery. When you apply power again to the box the piece will resume working. Note: unplugging the Shadowbox is only recommended to fix this green pixel problem, but to shutdown the piece normally please press the power button and wait for the display to turn off and only after this you can unplug the piece if you want.

- b) Please restart the Shadowbox with the power button, —this makes the green pixels disappear in most cases.
- c) If the two suggestions above do not get rid of the green pixels, then open the shadow box (remove two flathead screws on the left side and swing the box open) and re-nestle the DVI connector into the MacBook Pro.
- d) In the unlikely event that the suggestions above fail, please contact Lozano-Hemmer studio as they have found a small DVI booster box which solves this problem.

Power outage

If there is a power outage or if the Shadowbox is unplugged from the wall the display will turn off but the computer inside will remain on by using a battery. If the power is supplied again to the Shadowbox then the piece will resume working properly without needing to be restarted. If however the power is cut off for more than a couple of hours the battery will deplete and the computer will shut down or go to sleep, and it may be necessary to restart the system by pressing the power button in the back.

Crash

In the unlikely event that the computer freezes or crashes or gives an error message, pressing the power button for 5 seconds can restart the whole system. This will force the computer to shutdown. After this, press the button again briefly to start up normally. Please contact Lozano-Hemmer's studio in the event of a crash so that this can be solved immediately.

Focusing the camera

When the Shadowbox ships, the lens of the camera is perfectly focused and tightened with plumber's white Teflon tape. It is possible, albeit unlikely, that the camera lens has moved around during transport or manipulation. If the camera lens moves, the image will become out of focus. While this never prevents the piece from working, it does prevent the tracking from working perfectly.

To verify that the lens is focused correctly, turn on the Shadowbox and let the software run. When the piece is finished loading, right-click with the mouse and choose "Settings". The window that appears contains a video image where you should see yourself. Click on that image, and a new window will appear, showing a bigger version of the view of the camera.

The elements seen in the image should be as crisp as possible, especially around the center of the image. Assuming that the lighting is appropriate, the creases on a shirt, for example, should be clearly visible. If the camera lens is out of focus, the image will look smudgy and details will be difficult to distinguish.

If it is found that the camera is out of focus, you may try to focus it by rotating the lens from outside the box; this is not ideal because it is hard to grip the lens properly and you may scratch the lens. Ideally, to focus the lens proceed as follows:

Leave the Shadowbox on and showing the view of the camera throughout these operations. Remove the top of the Shadowbox by removing the 8 screws that hold it in place, using the Allen key kit provided with the piece.

Do not unplug the camera. You will need to see its image when refocusing.

Using a square-head screwdriver, loosen up the screws that hold down on the metal plate that presses down on the base of the camera's mount. Slide the plate away from the camera. While being careful not to rub the lens against the metal of the Shadowbox, slide the camera sideways so as to liberate it from the plate. Pull the camera out without unplugging it. You may need to free up the firewire cable that runs to the camera by clipping off a tie-wrap, for example. Now that you have the camera in hand and that its view is still shown on the screen of the Shadowbox, you can start focusing the camera.

Hold it with one hand and use the index finger and the thumb of the other hand to squeeze the outside of the smaller metal rim and very slowly screw or unscrew the lens that protrudes from the camera. As this manipulation is performed, keep an eye on the image on the screen. While turning the lens, when the image becomes blurrier, turn in the opposite direction. Do this until the position of the lens seems optimal to you.

Place the camera back inside the Shadowbox, always being careful not to scratch the lens. Make sure that the metal plate comes back over the heel of the camera stand. To screw the two plate screws back on, you may need to open the Shadowbox to access the screws' bolts, which can be held in place with a wrench to prevent them from turning with the screw. Opening the Shadowbox is as simple as removing the two flat head screws on its left side and swinging it open like a fridge.

When placing the camera, make sure the lens is pushed completely through the frontal hole of the Shadowbox. Also make sure it is straight. The position of the camera is important to the quality of the piece and may require some fine-tuning on the part of the person placing it. To verify the camera's position, you can again refer to the image on the display.

Once the camera is in place, close the Shadowbox, screw its top back on and you're done. Turn on the Shadowbox to verify that everything is working properly.

Support

If you would like support for the piece please feel free to call Lozano-Hemmer's studio in Canada:

Antimodular Research
4040 St-Laurent, studio 5
Montréal Québec H2W 1Y8 Canada
Tel 1-514-597-0917 Fax 1-514-597-2092
info@antimodular.com
www.antimodular.com

Appendix 1 – Plasma mount technical sheet and manual

TECHNICAL DATA SHEET - **SmartMount™**

Universal Flat Wall Mount for 22" - 49" Screens

peerless®
Solid Solutions - Solid Support™

MODELS: D-FPF-220, D-FPF-220S,
SF 640P, SF 640P-S

oshpd c 

The **SmartMount Universal Flat Wall Mount** supports virtually any 22" to 49" LCD or plasma screen. The ultra-slim wall plate keeps the screen close to the wall for a very discreet installation that is perfect for boardrooms, digital signage, or home theaters. The mount includes simple to align universal brackets and a unique wall plate that can be mounted to a single wood stud, two wood studs up to 16" apart, or concrete. Includes a Sorted-For-You™ baffle pack with all screen hardware and security fasteners.

Features:

- Colors: silver or black
- Universal mount fits virtually any 22" to 49" flat panel screen
- Slim design holds screen close up against the wall (1.18")
- Screen simply hooks onto the wall plate for quick and easy installation
- Optional horizontal adjustment of up to 6" (depending on screen model)
- Includes hardware for installation to wood studs, concrete, and cinder block

Accessories:

- Metal Stud Fastener Kit (ACC 415)
- Video Conferencing (ACC 309)
- Accessory Shelves (PM 600, PM610)

Dimensions:

Weight:

4.9 lb (2.2 kg)

Shipping weight:

5.6 lb (2.5 kg)

Maximum Load Capacity:

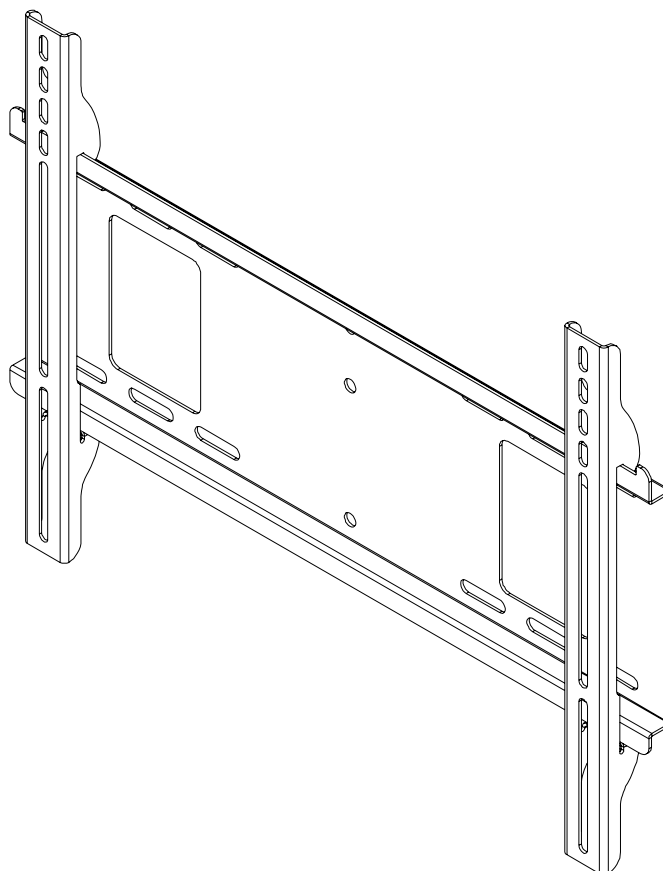
150 lb (68 kg)

Shipping Carton dimensions:

L = 20.75 in (527 mm)

W = 10.00 in (254 mm)

H = 1.75 in (44 mm)



ARCHITECTS SPECIFICATIONS

The **SmartMount Universal Flat Wall Mount** shall be a Peerless model _____ and shall be located where indicated on the plans. It shall feature 6" horizontal adjustment. It shall include hardware for installation to wood studs, concrete, and cinder block. Assembly and installation shall be done according to instructions provided by the manufacturer.

Peerless Industries, Inc.

3215 W. North Ave. Melrose Park, IL 60160
708-865-8870 800-865-2112 Fax 708-865-2941

www.peerlessmounts.com

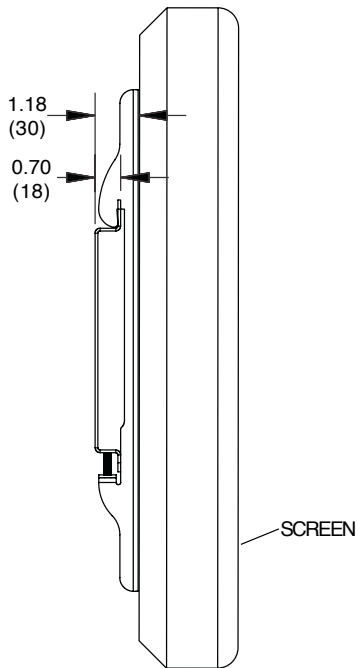
ISSUED: 04-12-05 SHEET NO: 201-9699-6 09-11-06

© 2006 Peerless Industries, Inc. All rights reserved.
SmartMount is a trademark and Peerless is a registered trademark of Peerless Industries, Inc.
All other brand and product names are trademarks or registered trademarks of their respective owners.

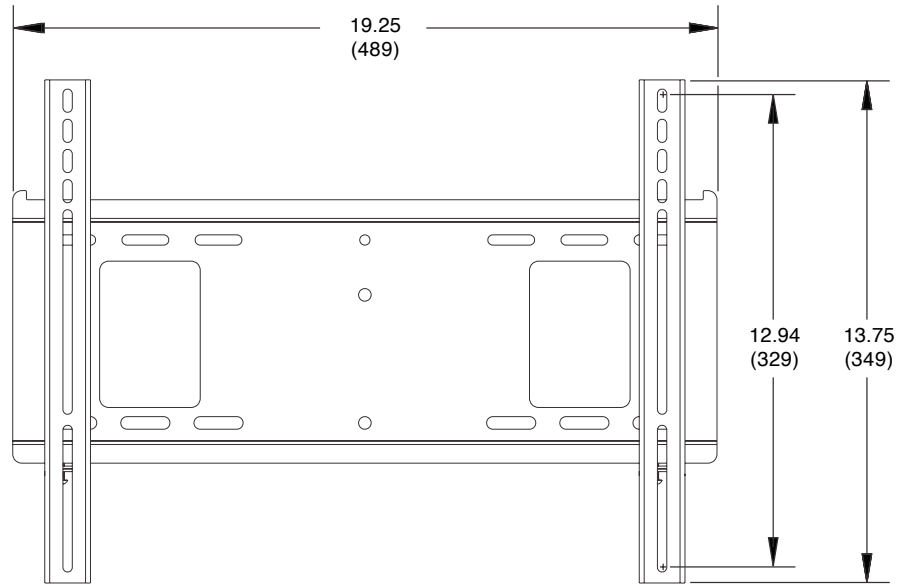
TECHNICAL DATA SHEET

MODELS: D-FPF-220, D-FPF-220S, SF 640P, SF 640P-S

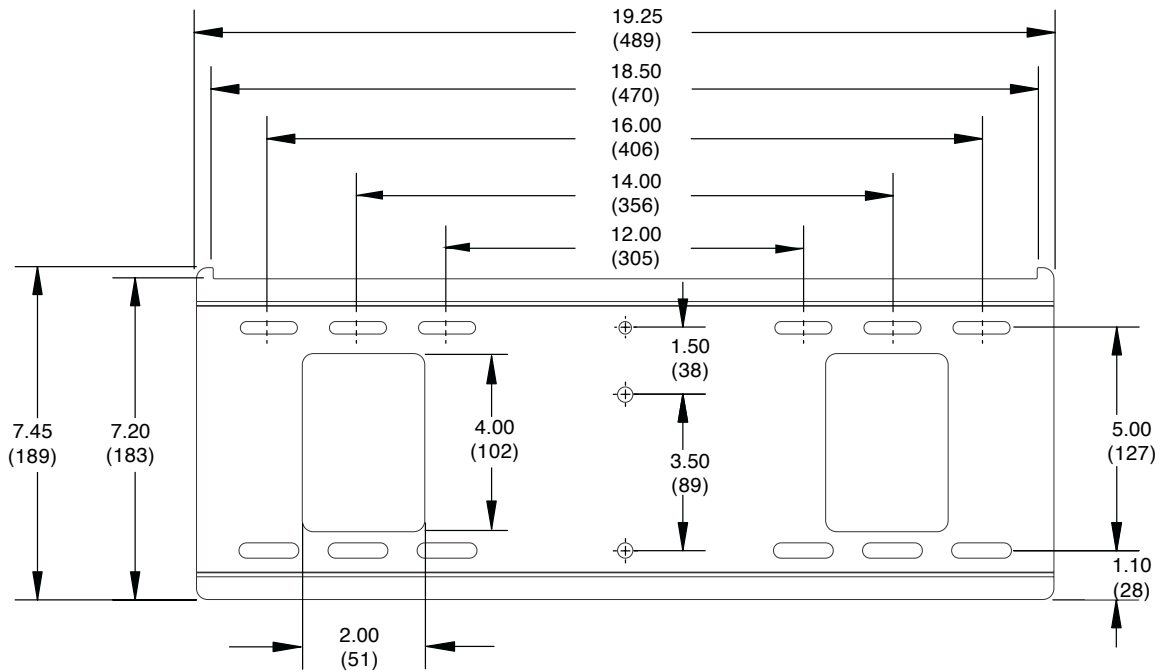
All Dimensions = $\frac{\text{in}}{\text{(mm)}}$



SIDE VIEW



FRONT VIEW



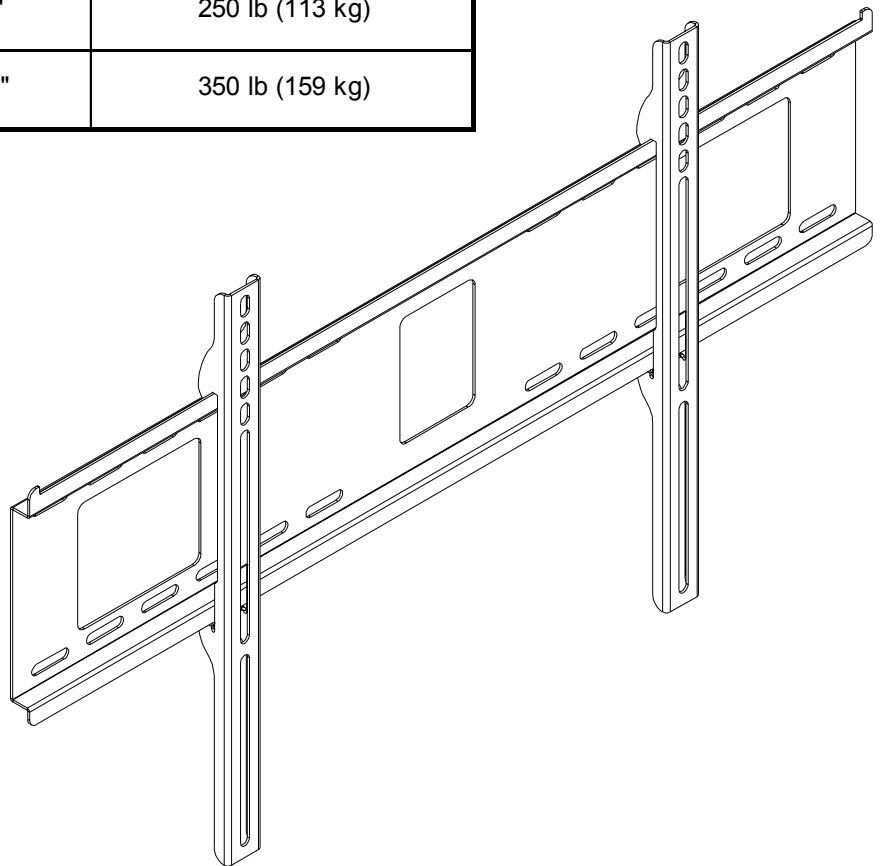
WALL PLATE DETAIL

Installation and Assembly: Universal Flat Wall Mount

Product is UL rated for screen size range and load capacity _____ per chart below



Model #	Screen Size Range	Max UL Load Capacity
D-FPF-220, D-FPF-220S, SF 640, SF 640-S, SF 640P, SF 640P-S, RTFPF-220, RTFPF-220S	23"-46"	150 lb (68 kg)
D-FPF-320, D-FPF-320S, SF 660, SF 660-S, SF 660P, SF 660P-S, RTFPF-320, RTFPF-320S	32"-60"	200 lb (91 kg)
SF 670, SF 670-S, SF 670P, SF 670P-S	42"-71"	250 lb (113 kg)
SF 680, SF 680-S, SF 680P, SF 680P-S	61"-102"	350 lb (159 kg)



Features:

- For flat panel screens
- Ultra-slim design holds the screen flat against the wall
- Screen simply hooks onto the wall plate for quick and easy installation
- Includes hardware for installation to wood studs, concrete, and cinder block

Note: Read entire instruction sheet before you start installation and assembly.

⚠ WARNING

- Do not begin to install your Peerless product until you have read and understood the instructions and warnings contained in this Installation Sheet. If you have any questions regarding any of the instructions or warnings, please call Peerless customer care at 1-800-729-0307.
- This product should only be installed by someone of good mechanical aptitude, has experience with basic building construction, and fully understands these instructions.
- Make sure that the supporting surface will safely support the combined load of the equipment and all attached hardware and components.
- Never exceed the Maximum UL Load Capacity. See page one.
- If mounting to wood wall studs, make sure that mounting screws are anchored into the center of the studs. Use of an "edge to edge" stud finder is highly recommended.
- Always use an assistant or mechanical lifting equipment to safely lift and position equipment.
- Tighten screws firmly, but do not overtighten. Overtightening can damage the items, greatly reducing their holding power.

Tools Needed for Assembly

- stud finder ("edge to edge" stud finder is recommended)
- phillips screwdriver
- drill
- 1/4" bit for concrete and cinder block wall
- 1/2" bit for metal stud wall
- 5/32" bit for metal or wood stud wall
- level

Accessories

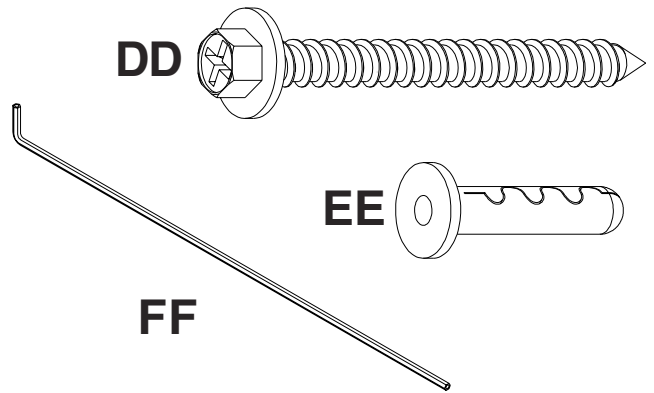
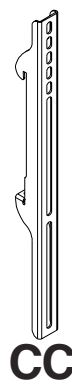
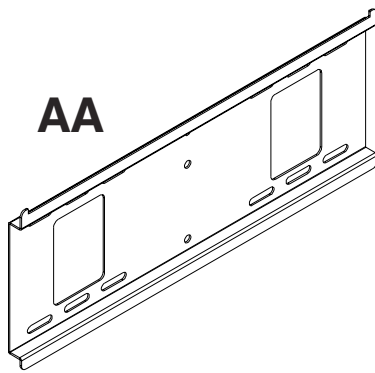
- 4 piece Metal Stud Fastener Kit (ACC 415) (Metal Stud not evaluated by UL)
- 2 piece Metal Stud Fastener Kit (ACC 215) (Metal Stud not evaluated by UL)

Table of Contents

Parts List	3
Installation to Double Wood Stud Wall	4
Installation to Triple Wood Stud Wall	5
Installation to Solid Concrete or Cinder Block	6
Installing Adapter Brackets	7
Installing Flat Panel Screen to Wall Plate	8

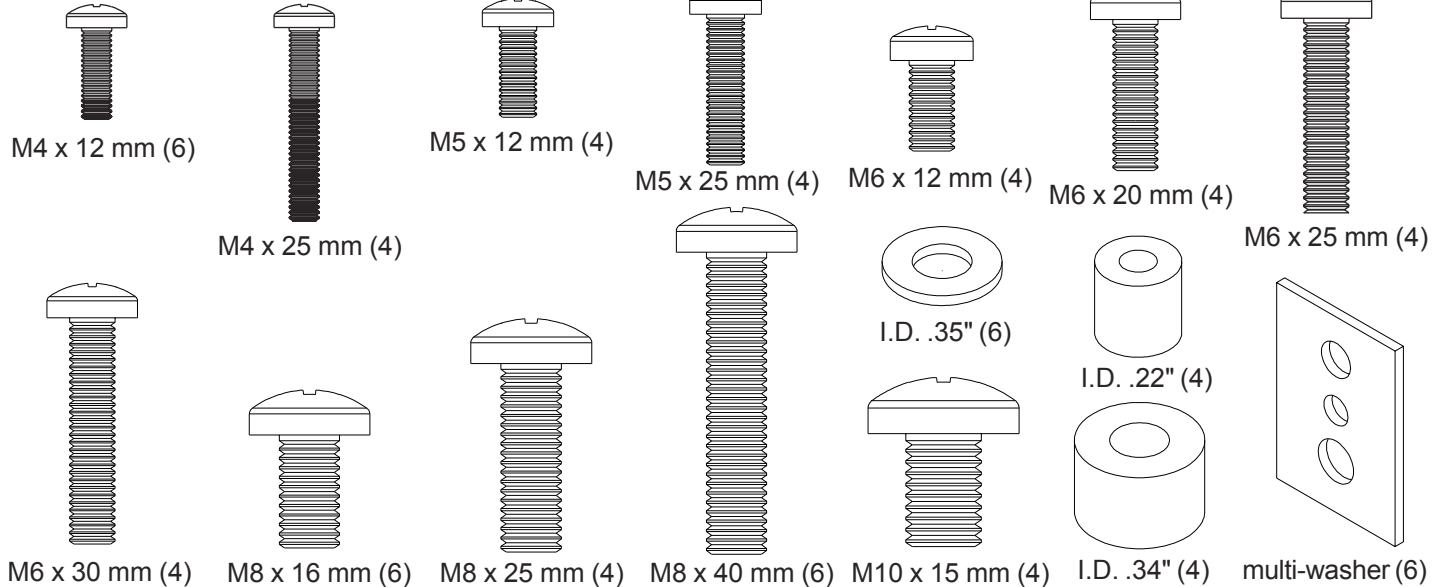
For customer care call (800) 729-0307 or (708) 865-8870.

				<i>Before you begin, make sure all parts shown are included with your product. Parts may appear slightly different than illustrated.</i>			
D-FPPF-220, D-FPPF-220S, SF 640, SF 640-S, SF 640P, SF 640P-S, RTFPF-220, RTFPF-220S D-FPPF-320, D-FPPF-320S, SF 660, SF 660-S, SF 660P, SF 660P-S, RTFPF-320, RTFPF-320S SF 670, SF 670-S, SF 670P, SF 670P-S SF 680, SF 680-S, SF 680P, SF 680P-S	Parts List		Non-Security		Security		
	Description	Qty.	Black Part Number	Silver Part Number	Black Part Number	Silver Part Number	
✓		AA wall plate (double stud)	1	200-1797	200-4797	200-1797	200-4797
	✓	(double stud)		201-1018	201-4018	201-1018	201-4018
		(triple stud)		200-1901	200-4901	200-1901	200-4901
		(triple stud)		200-1902	200-4902	200-1902	200-4902
✓		BB adapter bracket	2	200-0758	200-0759	200-0760	200-0761
	✓			200-0754	200-0755	200-0756	200-0757
				200-0940	200-0941	200-0942	200-0943
				200-0944	200-0945	200-0946	200-0947
	✓	CC deep adapter bracket	2	200-0750	200-0751	200-0752	200-0753
✓	✓	DD #14 x 2.5 wood screw	4	5S1-015-C03	5S1-015-C03	5S1-015-C03	5S1-015-C03
			6	5S1-015-C03	5S1-015-C03	5S1-015-C03	5S1-015-C03
✓	✓	EE Alligator® anchor	4	590-0097	590-0097	590-0097	590-0097
			6	590-0097	590-0097	590-0097	590-0097
✓	✓	FF 4 mm allen wrench	1	560-1131	560-1131	560-1131	560-1131
	✓		1	560-1146	560-1146	560-1146	560-1146



Adapter Bracket Fasteners

Note: The sorted-for-you™ fastener pack included was made specifically for your product and may not contain all components shown below.



Installation to Double Wood Stud Wall

⚠ WARNING

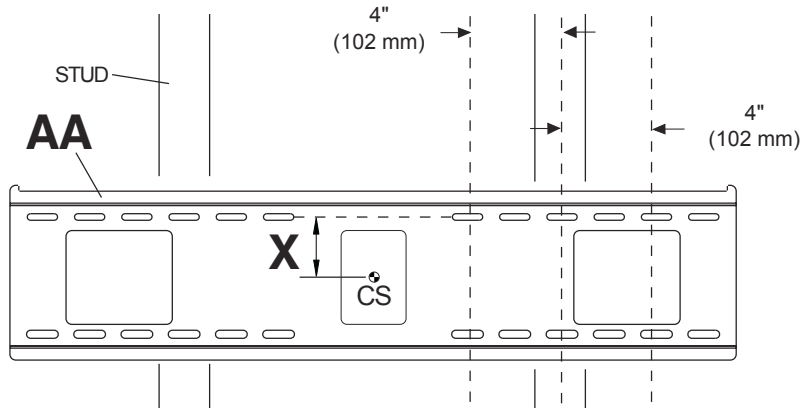
- Installer must verify that the supporting surface will safely support the combined load of the equipment and all attached hardware and components.
- Tighten wood screws so that wall plate is firmly attached, but do not overtighten. Overtightening can damage the screws, greatly reducing their holding power.
- Never tighten in excess of 80 in. • lb (9 N.M.).
- Make sure that mounting screws are anchored into the center of the stud. The use of an "edge to edge" stud finder is highly recommended.
- Hardware provided is for attachment of mount through standard thickness drywall or plaster into wood studs. Installers are responsible to provide hardware for other types of mounting situations.

Note: If mounting equipment weighing greater than 200 lbs, triple stud mounting is strongly recommended.
Skip to page 5.

1 Wall plate (**AA**) can be mounted to two studs that are 16" apart. Use a stud finder to locate the edges of the studs. Use of an edge-to-edge stud finder is highly recommended. Based on their edges, draw a vertical line down each stud's center. Place wall plate on wall as a template. The top mounting slots should be located above the desired screen center as indicated by dimension **X** in figure 1.1 and chart below. Level plate, and mark the center of the four mounting holes. Make sure that the mounting holes are on the stud centerlines. Drill four 5/32" (4 mm) dia. holes 2-1/2" (65 mm) deep. Make sure that the wall plate is level, secure it using four #14 x 2.5" wood screws (**DD**) as shown in figure 1.2.

Note: Wall plate may be mounted up to 4" (102 mm) off center as shown in figure 1.1.

Skip to step 2 on page 7.



CS = center of screen

fig. 1.1

Model #	X Dimension
SF 640, SF 640-S, SF 640P, SF 640P-S, RTFPF-220, RTFPF-220S	2.5" (64 mm)
SF 660, SF 660-S, SF 660P, SF 660P-S, RTFPF-320, RTFPF-320S	4-5/8" (117 mm)

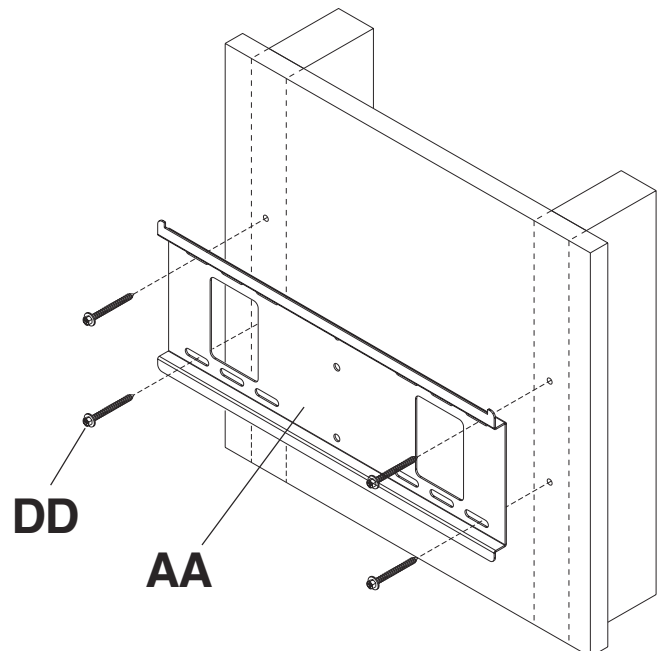


fig. 1.2

Installation to Triple Wood Stud Wall

⚠ WARNING

- Installer must verify that the supporting surface will safely support the combined load of the equipment and all attached hardware and components.
- Tighten wood screws so that wall plate is firmly attached, but do not overtighten. Overtightening can damage the screws, greatly reducing their holding power.
- Never tighten in excess of 80 in. • lb (9 N.M.).
- Make sure that mounting screws are anchored into the center of the stud. The use of an "edge to edge" stud finder is highly recommended.
- Hardware provided is for attachment of mount through standard thickness drywall or plaster into wood studs. Installers are responsible to provide hardware for other types of mounting situations.

1 Wall plate (**AA**) can be mounted to three studs that are 16" apart. Use a stud finder to locate the edges of the studs. Use an edge-to-edge stud finder is highly recommended. Based on their edges, draw a vertical line down each stud's center. Place wall plate on wall as a template. The top mounting slots should be located above the desired screen center as indicated by dimension **X** in figure 1.3 and chart below. Level plate, and mark the center of the six mounting holes. Make sure that the mounting holes are on the stud centerlines. Drill six 5/32" (4 mm) dia. holes 2-1/2" (65 mm) deep. Make sure that the wall plate is level, secure it using six #14 x 2.5" wood screws (**DD**) as shown in figure 1.4.

Note: When mounting equipment weighing greater than 200 lbs, triple stud mounting is strongly recommended. If mounting to two studs on 16" centers, leave an open stud in center. Wall plate may be mounted up to 6" (152 mm) off-center as shown in figure 1.3.

Skip to step 2 on page 7.

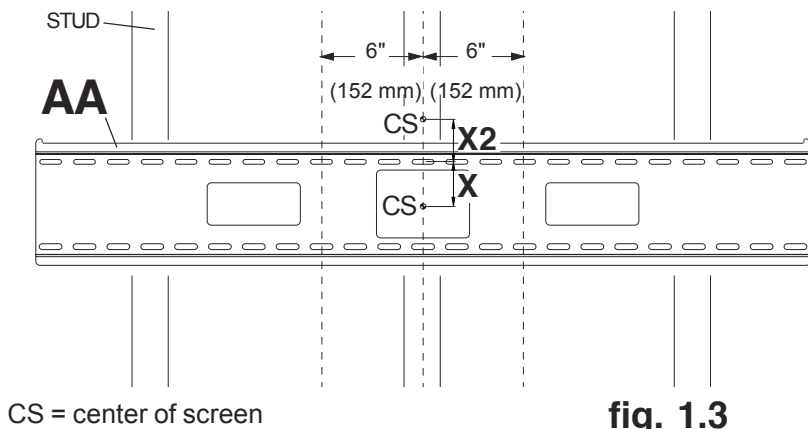


fig. 1.3

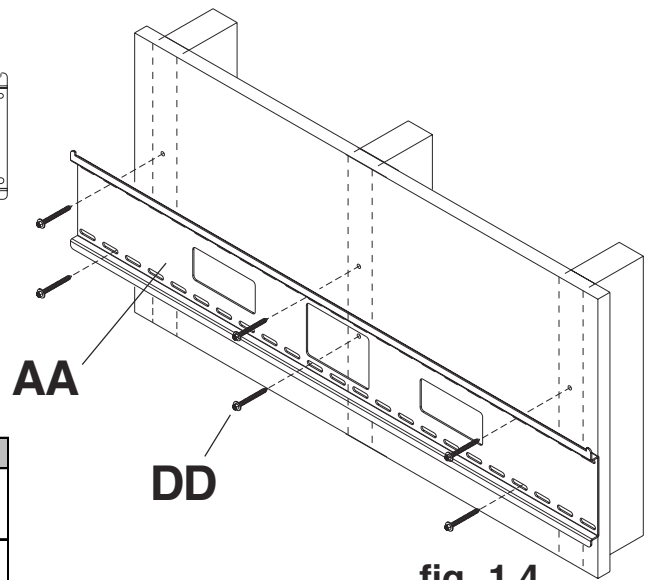


fig. 1.4

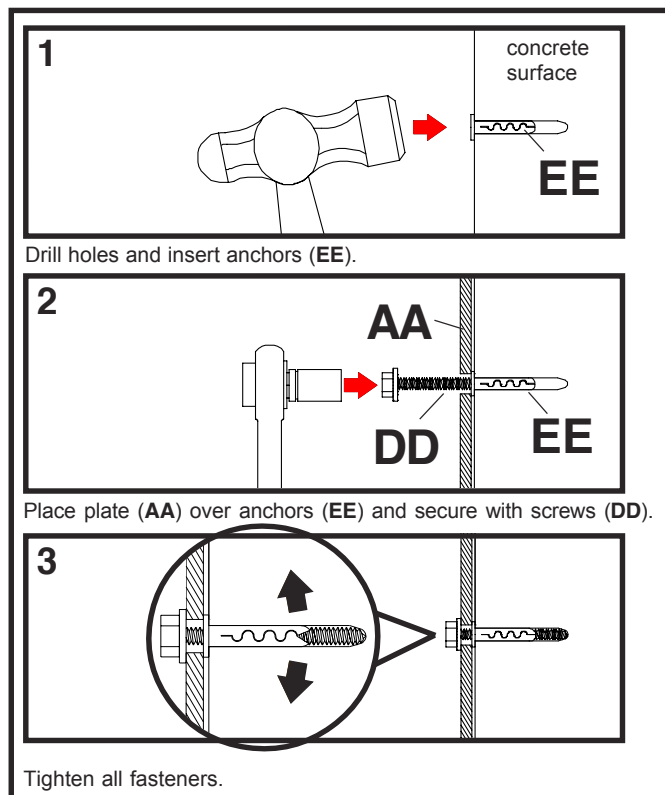
Model #	X Dimension	X2 Dimension
SF 670, SF 670-S, SF 670P, SF 670P-S	n/a	3/4" (19 mm)
SF 680, SF 680-S, SF 680P, SF 680P-S	3-3/4" (95 mm)	n/a

Installation to Solid Concrete or Cinder Block

⚠ WARNING

- When installing Peerless wall mounts on cinder block, verify that you have a minimum of 1-3/8" of actual concrete thickness in the hole to be used for the concrete anchors. Do not drill into mortar joints! Be sure to mount in a solid part of the block, generally 1" minimum from the side of the block. Cinder block must meet ASTM C-90 specifications. It is suggested that a standard electric drill on slow setting is used to drill the hole instead of a hammer drill to avoid breaking out the back of the hole when entering a void or cavity.
- Concrete must be 2000 psi density minimum. Lighter density concrete may not hold concrete anchor.
- Installer must verify that the supporting surface will safely support the combined load of the equipment and all attached hardware and components.

- 1** Make sure that wall plate (**AA**) is level, use it as a template to mark four mounting holes. The top mounting slots should be located above the desired screen center as indicated by dimension **X** in figure 1.1 and charts on pages 4 and 5. Drill four 1/4" (6 mm) dia. holes to a minimum depth of 2.5" (64 mm). Insert anchors (**EE**) in holes flush with wall as shown (right). Place wall plate over anchors and secure with #14 x 2.5" screws (**DD**). Level, then tighten all fasteners.
Note: Six holes and six sets of fasteners are required when mounting the wall plate for equipment weighing greater than 200 lbs.

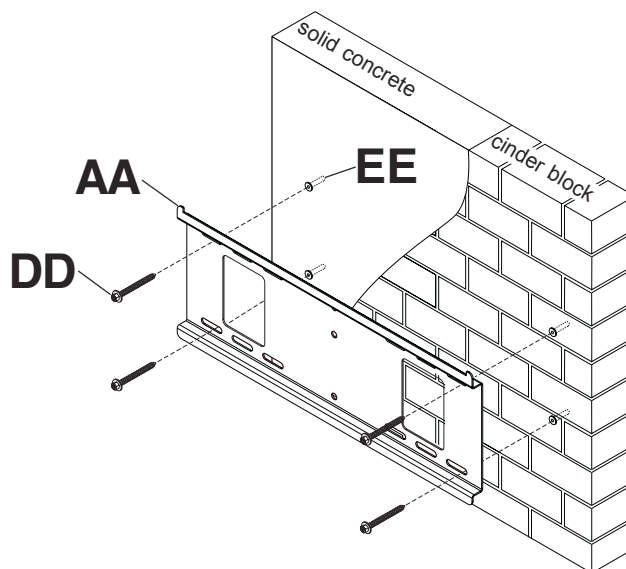
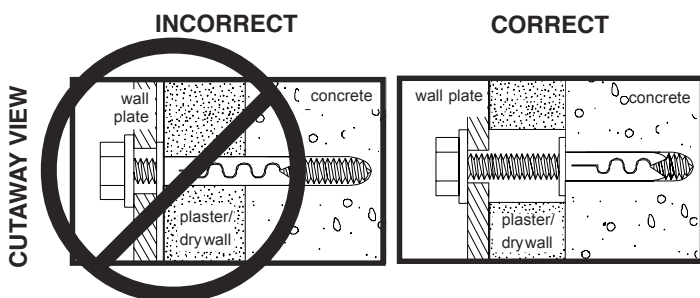


⚠ WARNING

- Tighten screws so that wall plate is firmly attached, but do not overtighten. Overtightening can damage screws, greatly reducing their holding power.
- Never tighten in excess of 80 in. • lb (9 N.M.).

⚠ WARNING

- Always attach concrete anchors directly to load-bearing concrete.
- Never attach concrete anchors to concrete covered with plaster, drywall, or other finishing material. If mounting to concrete surfaces covered with a finishing surface is unavoidable, the finishing surface must be counterbored as shown below. Be sure concrete anchors do not pull away from concrete when tightening screws. If plaster/drywall is thicker than 5/8", custom fasteners must be supplied by installer.



Installing Adapter Brackets

Refer to **Screen Compatibility Chart** to determine the proper fasteners to use.

- 2** To prevent scratching the screen, set a cloth on a flat, level surface that will support the weight of the screen. Place screen face side down. If screen has knobs on the back, remove them to allow the adapter brackets to be attached. Place adapter brackets (**BB or CC**) on back of screen, align to holes, and center on back of screen as shown in figure 2.1. Attach the adapter brackets to the back of the screen using the appropriate combination of screws, multi-washers, and spacers as shown in figure 2.3.

Note: Top and bottom holes must always be used.

Verify that all holes are properly aligned, and then tighten screws using a phillips screwdriver.

⚠ WARNING

- Tighten screws so adapter brackets are firmly attached. Do not tighten with excessive force. Overtightening can cause stress damage to screws, greatly reducing their holding power and possibly causing screw heads to become detached. Tighten to 40 in. • lb (4.5 N.M.) maximum torque.
- If screws don't get three complete turns in the screen inserts or if screws bottom out and bracket is still not tightly secured, damage may occur to screen or product may fail.

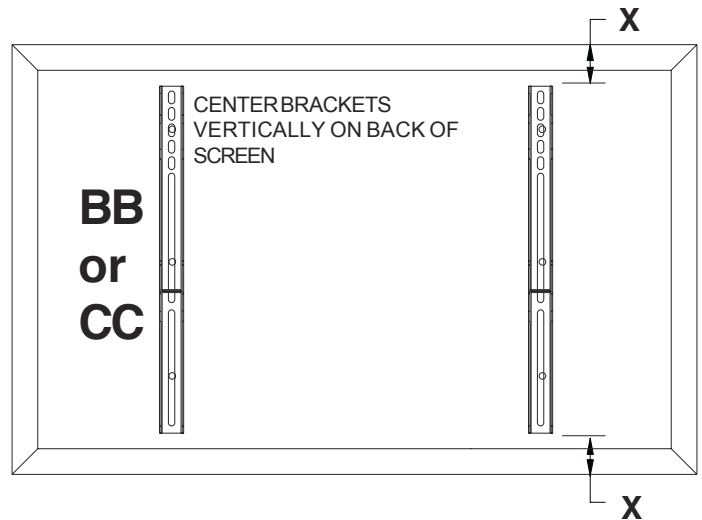


fig 2.1

Note: "X" dimensions should be equal.

Notes:

- The number of fasteners used will vary, depending upon the type of screen.
- Multi-washers and spacers may not be used, depending upon the type of screen.
- Use the corresponding hole in the multi-washer that matches your screw size as shown in figure 2.2.

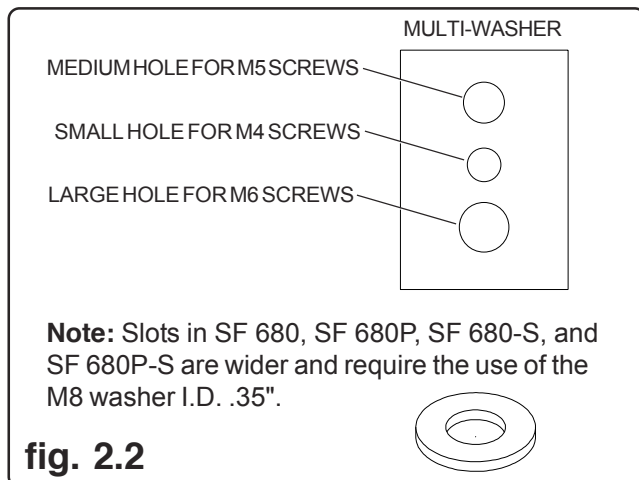


fig. 2.2

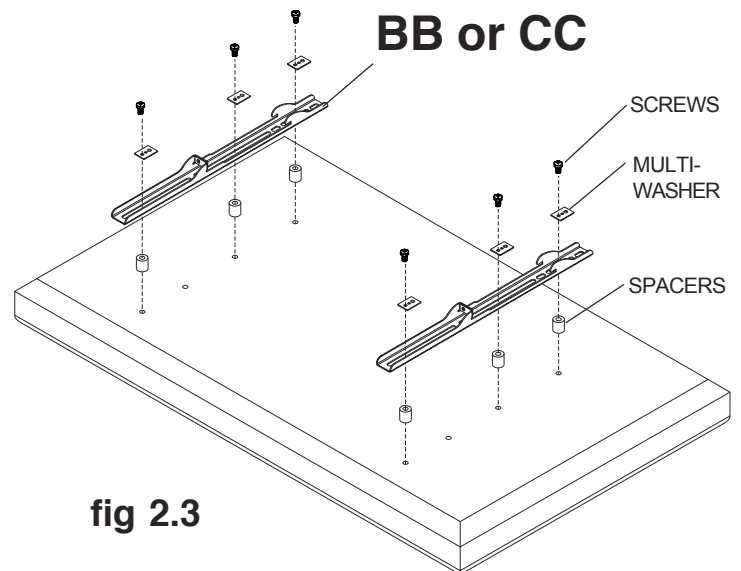


fig 2.3

Mounting and Removing Flat Panel Screen

- 3** Hook adapter brackets (**BB or CC**) onto wall plate (**AA**). Then slowly swing screen in as shown. Turn safety/security screws, using security allen wrench (**FF**), clockwise at least six times to prevent screen from being removed as shown in detail 1 of figure 3.1.

Screen can be adjusted horizontally if desired as shown in figure 3.2.

Note: To lock the screen down, tighten safety/security screws to wall plate as shown in detail 1.

To remove screen from mount, loosen safety/security screws, swing screen away from mount, and lift screen off of mount.

⚠ WARNING

- Always use an assistant or mechanical lifting equipment to safely lift and position the plasma television.

CAUTION

- Do not tighten screws with excessive force. Overtightening can cause damage to mount. Tighten screws to 40 in. • lb (4.5 N.M.) maximum torque.

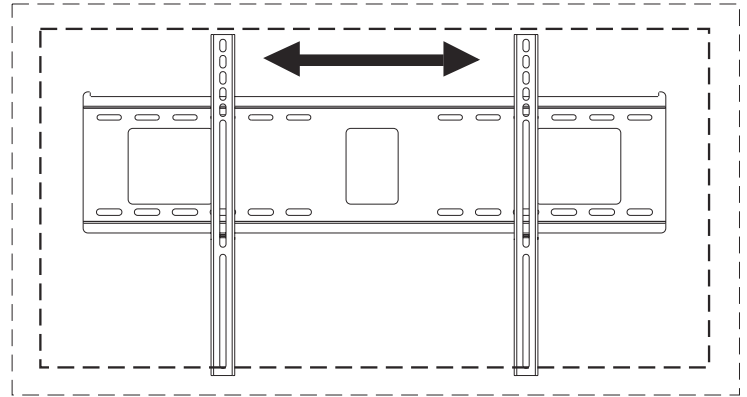


fig 3.2

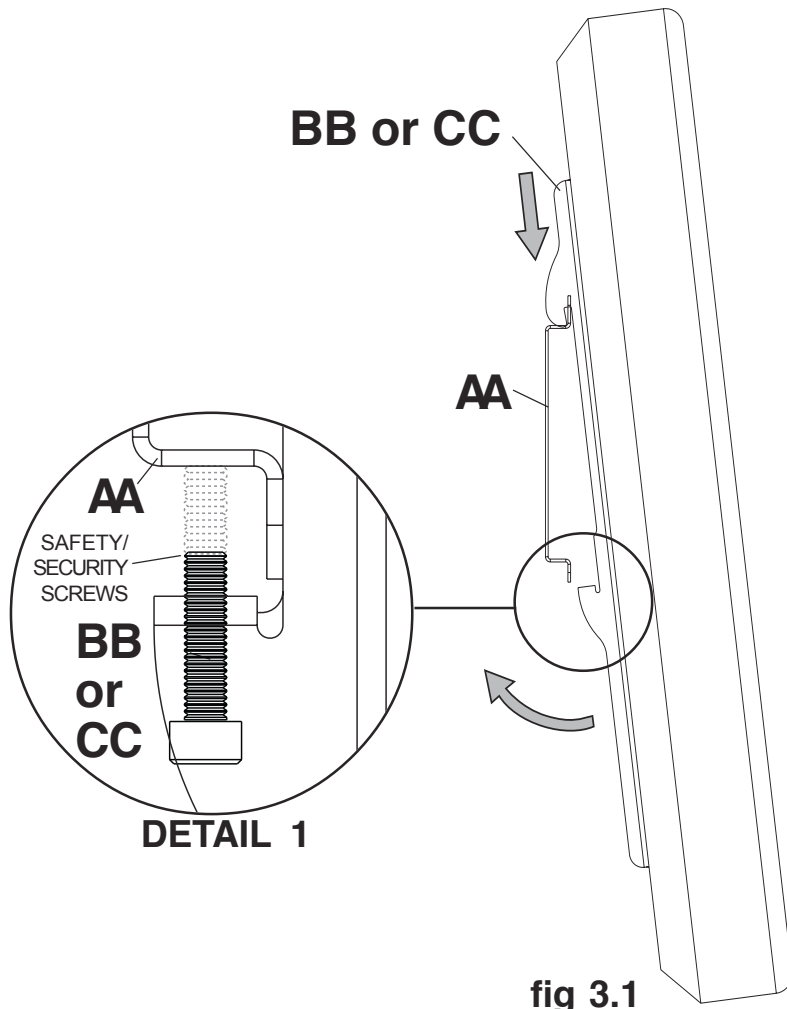


fig 3.1

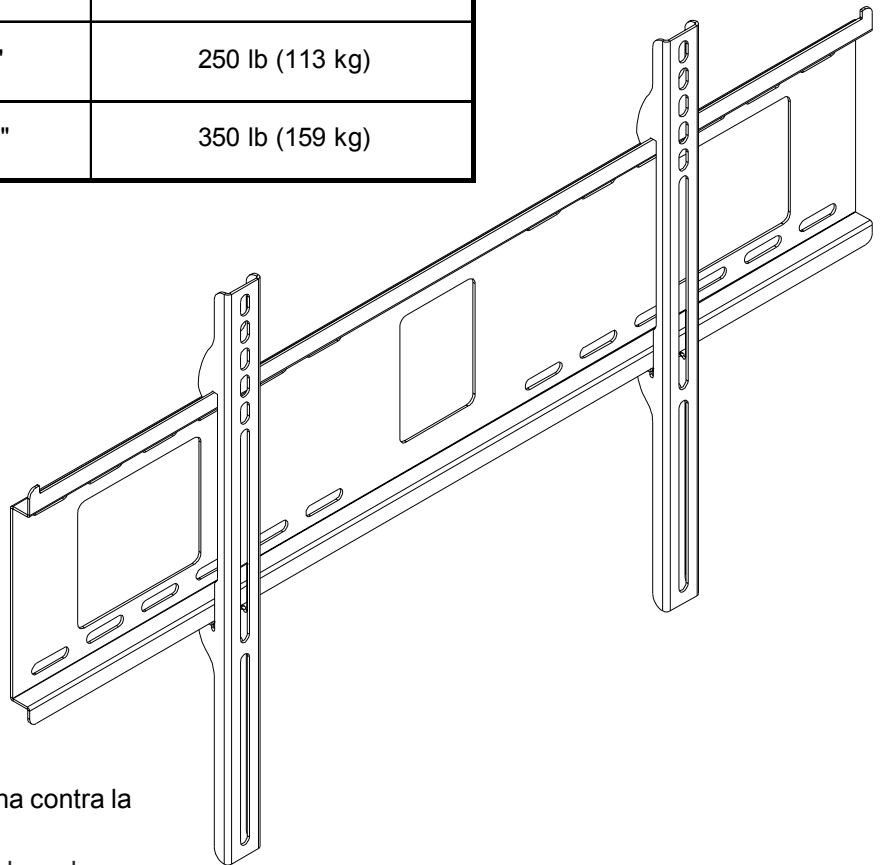
Instalación y montaje:

Soporte universal plano de pared

Este producto está clasificado por Underwriters Laboratories (UL) para utilizarse con pantallas dentro de las gamas de tamaños y de la capacidad de soportar carga _____ según lo indicado en la tabla que aparece continuación.



Nº de modelo	Gama de tamaños de la pantalla	Capacidad máxima de soportar carga según UL:
D-FPF-220, D-FPF-220S, SF 640, SF 640-S, SF 640P, SF 640P-S, RTFPF-220, RTFPF-220S	23"-46"	150 lb (68 kg)
D-FPF-320, D-FPF-320S, SF 660, SF 660-S, SF 660P, SF 660P-S, RTFPF-320, RTFPF-320S	32"-60"	200 lb (91 kg)
SF 670, SF 670-S, SF 670P, SF 670P-S	42"-71"	250 lb (113 kg)
SF 680, SF 680-S, SF 680P, SF 680P-S	61"-102"	350 lb (159 kg)



Características:

- Para pantallas planas
- El diseño ultra delgado sujeta la pantalla plana contra la pared
- La pantalla simplemente se engancha en la placa de apoyo para una instalación rápida y fácil
- Incluye los herrajes para instalación en montantes de madera, concreto y bloques de hormigón de escorias

Nota: Lea toda la hoja de instrucciones antes de iniciar la instalación y el montaje.

⚠ ADVERTENCIA

- No comience la instalación de su producto Peerless sin antes leer y comprender las instrucciones y los avisos de precaución contenidos en esta hoja de instalación. Ante cualquier duda respecto a las instrucciones o avisos de precaución, llame al departamento de servicio al cliente de Peerless al 1-800-729-0307.
- Este producto debe instalarlo una persona con buenas aptitudes mecánicas, experiencia en la construcción básica de edificios y una comprensión total de estas instrucciones.
- Asegúrese de que la superficie de apoyo sea capaz de soportar firmemente la carga combinada del equipo y todos los herrajes y componentes.
- Nunca sobrepase la capacidad máxima de soportar carga aceptada por Underwriters Laboratories. Vea la página uno.
- Si la instalación va a hacerla en paredes con montantes de madera, asegúrese de que los tornillos de montaje estén anclados en el centro de los montantes. Se recomienda usar un localizador de montantes de “borde a borde”.
- Siempre solicite la ayuda de un asistente o utilice un equipo de izar mecánico para levantar y colocar el equipo con más seguridad.
- Apriete los tornillos firmemente, pero no en exceso. El apriete excesivo puede dañar los artículos, reduciendo enormemente su fuerza de fijación.

Herramientas necesarias para el montaje

- localizador de montantes (se recomienda usar el de “borde a borde”)
- destornillador phillips
- taladro
- broca de 1/4" para pared de concreto y de bloques de hormigón de escorias
- broca de 1/2" para pared con montantes de metal
- broca de 5/32" para pared con montantes de metal o madera
- nivel

Accesorios

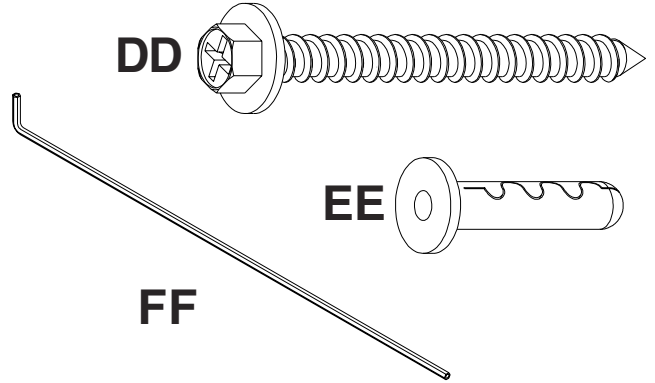
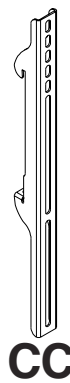
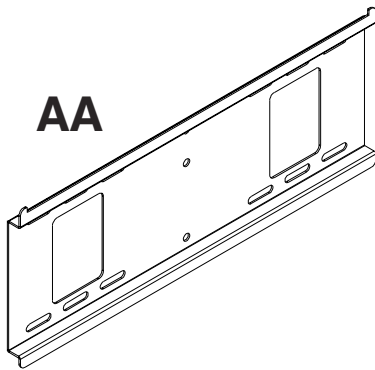
- Juego de 4 piezas de fijaciones para montantes de metal (ACC 415) (montante de metal no evaluado por UL)
- Juego de 2 piezas de fijaciones para montantes de metal (ACC 215) (montante de metal no evaluado por UL)

Contenido

Lista de piezas	11
Instalación en una pared con montantes de madera dobles	12
Instalación en una pared con montantes de madera triples	13
Instalación en una pared de concreto macizo o de bloques de hormigón de escorias	14
Instalación de los soportes adaptadores	15
Instalación de la pantalla plana en la placa de apoyo	16

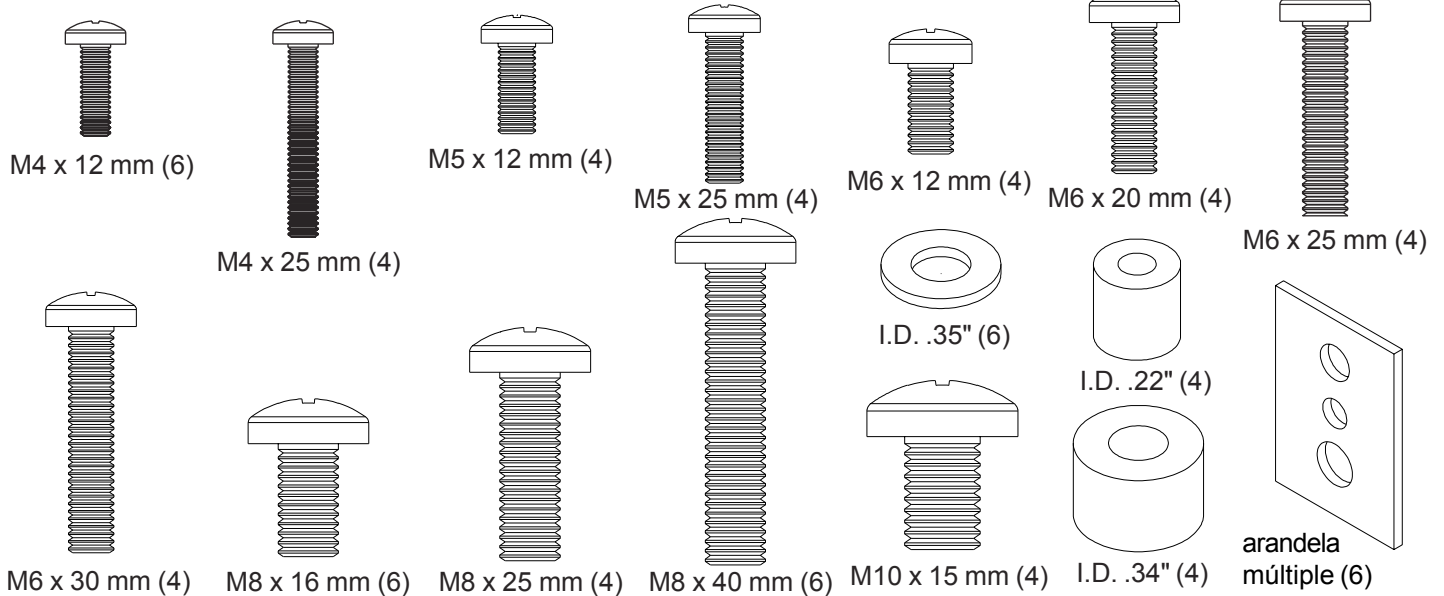
Para atención al cliente, llame al (800) 729-0307 ó (708) 865-8870.

D-FPF-220, D-FPF-220S, SF 640, SF 640-S, SF 640P, SF 640P-S, RTFPF-220, RTFPF-220S, D-FPF-320, D-FPF-320S, SF 660, SF 660-S, SF 660P, SF 660P-S, RTFPF-320, RTFPF-320S, SF 670, SF 670-S, SF 670P, SF 670P-S, SF 680, SF 680-S, SF 680P, SF 680P-S	Antes de comenzar, asegúrese de que su producto incluye todas las piezas ilustradas. Las piezas podrían verse ligeramente diferentes a las ilustradas.					
	Lista de piezas					
	Descripción	Cant.	Sin tornillo de seguridad		Con tornillo de seguridad	
		Negro Nº de pieza	Plateado Nº de pieza	Negro Nº de pieza	Plateado Nº de pieza	
✓		1	200-1797	200-4797	200-1797	200-4797
	✓		201-1018	201-4018	201-1018	201-4018
			200-1901	200-4901	200-1901	200-4901
			200-1902	200-4902	200-1902	200-4902
✓		2	200-0758	200-0759	200-0760	200-0761
	✓		200-0754	200-0755	200-0756	200-0757
			200-0940	200-0941	200-0942	200-0943
			200-0944	200-0945	200-0946	200-0947
	✓	2	200-0750	200-0751	200-0752	200-0753
✓	✓	4	5S1-015-C03	5S1-015-C03	5S1-015-C03	5S1-015-C03
		6	5S1-015-C03	5S1-015-C03	5S1-015-C03	5S1-015-C03
✓	✓	4	590-0097	590-0097	590-0097	590-0097
		6	590-0097	590-0097	590-0097	590-0097
✓	✓	1	560-1131	560-1131	560-1131	560-1131
	✓	1	560-1146	560-1146	560-1146	560-1146



Fijaciones para los soportes adaptadores

Nota: El paquete de fijaciones sorted-for-you™ que se incluye, fue preparado especialmente para su producto y es posible que no contenga todos los componentes que se ilustran a continuación.



Instalación en una pared con montantes de madera dobles

⚠ ADVERTENCIA

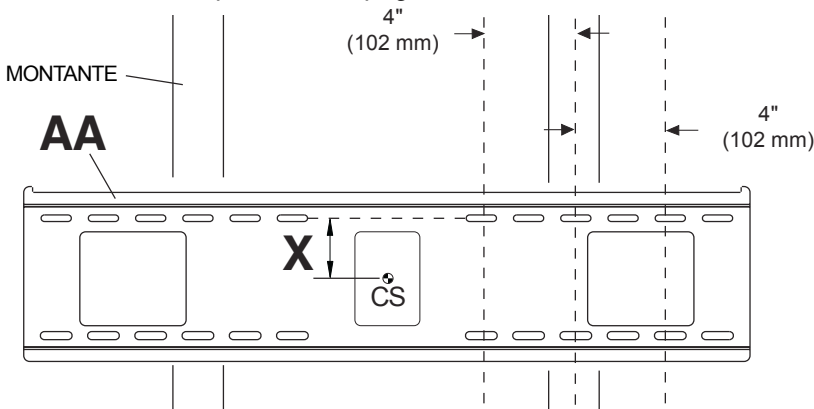
- El instalador debe verificar que la superficie de apoyo sea capaz de soportar firmemente la carga combinada del equipo y todos los herrajes y componentes.
- Apriete los tornillos para madera de tal modo que la placa de apoyo quede firmemente sujeta, pero no apriete en exceso. El apriete excesivo puede dañar los tornillos, reduciendo enormemente su fuerza de fijación.
- Nunca apriete más de 80 pulg-lb (9 N•m).
- Asegúrese de que los tornillos de montaje queden bien fijos en el centro del montante. Se recomienda usar un localizador de montantes de "borde a borde".
- Los herrajes suministrados son para fijar el soporte a través de tabique de yeso-cartón o yeso de espesor estándar a los montantes de madera. Los instaladores son responsables de suministrar los herrajes para otros tipos de situaciones de montaje.

Nota: Si el peso del equipo de montaje es mayor que 200 lbs, se recomienda utilizar montantes triples.
Pase a la página 13.

- 1** La placa de apoyo (**AA**) puede fijarse a dos montantes con una separación de 16" entre ellos. Utilice un localizador de montantes para ubicar los bordes de los montantes. Se recomienda usar un localizador de montantes de "borde a borde". Basado en sus bordes, trace una línea vertical por el centro de cada montante. Coloque la placa de apoyo en la pared para usarla como plantilla. Las ranuras de montaje superiores deben quedar ubicadas más arriba del centro de la pantalla, como lo indica la dimensión **X** en la figura 1.1 y la tabla que aparece a continuación. Nivele la placa y marque el centro de los cuatro agujeros. Asegúrese de que los agujeros de montaje se encuentren en la línea central de los montantes. Taladre cuatro agujeros de 5/32" (4 mm) de diámetro y 2-1/2" (65 mm) de profundidad. Asegúrese de que la placa de apoyo esté nivelada, fijela con los cuatro tornillos para madera N° 14 x 2.5" (**DD**), como se muestra en la figura 1.2.

Nota: La placa de apoyo puede instalarse hasta 4" (102 mm) desplazada del centro, como se muestra en la figura 1.1.

Proceda al paso 2 en la página 15.



CS = centro de la pantalla

fig. 1.1

N° de modelo	Dimensión X
SF 640, SF 640-S, SF 640P, SF 640P-S, RTFPF-220, RTFPF-220S	2.5" (64 mm)
SF 660, SF 660-S, SF 660P, SF 660P-S, RTFPF-320, RTFPF-320S	4-5/8" (117 mm)

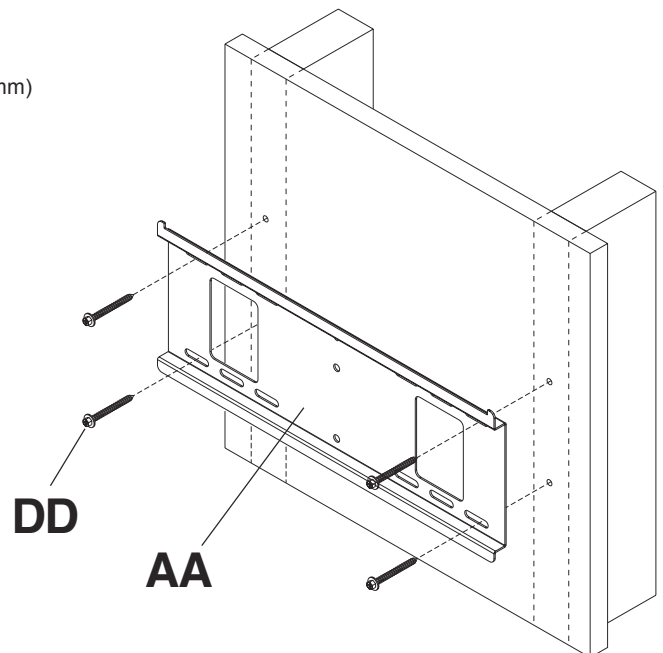


fig. 1.2

Instalación en una pared con montantes de madera triples

⚠ ADVERTENCIA

- El instalador debe verificar que la superficie de apoyo sea capaz de soportar firmemente la carga combinada del equipo y todos los herrajes y componentes.
- Apriete los tornillos para madera de tal modo que la placa de apoyo quede firmemente sujeta, pero no apriete en exceso. El apriete excesivo puede dañar los tornillos, reduciendo enormemente su fuerza de fijación.
- Nunca apriete más de 80 pulg-lb (9 N•m).
- Asegúrese de que los tornillos de montaje queden bien fijos en el centro del montante. Se recomienda usar un localizador de montantes de “borde a borde”.
- Los herrajes suministrados son para fijar el soporte a través de tabique de yeso-cartón o yeso de espesor estándar a los montantes de madera. Los instaladores son responsables de suministrar los herrajes para otros tipos de situaciones de montaje.

1 La placa de apoyo (**AA**) puede fijarse a tres montantes con una separación de 16" entre ellos. Utilice un localizador de montantes para ubicar los bordes de los montantes. Se recomienda usar un localizador de montantes de “borde a borde”. Basado en sus bordes, trace una línea vertical por el centro de cada montante. Coloque la placa de apoyo en la pared para usarla como plantilla. Las ranuras de montaje superiores deben quedar ubicadas más arriba del centro de la pantalla, como lo indica la dimensión **X** en la figura 1.3 y la tabla que aparece a continuación. Nivele la placa y marque el centro de los seis agujeros de montaje. Asegúrese de que los agujeros de montaje se encuentren en la línea central de los montantes. Taladre seis agujeros de 5/32" (4 mm) de diámetro y 2-1/2" (65 mm) de profundidad. Asegúrese de que la placa de apoyo esté nivelada, fíjela con los cuatro tornillos para madera N° 14 x 2.5" (**DD**), como se muestra en la figura 1.4.

Nota: Si el peso del equipo de montaje es mayor que 200 lbs, se recomienda utilizar montantes triples. Si está instalando en dos montantes con 16" entre centros, deje un montante abierto en el centro. La placa de apoyo puede instalarse hasta 6" (152 mm) desplazada del centro, como se muestra en la figura 1.3.

Proceda al paso 2 en la página 15.

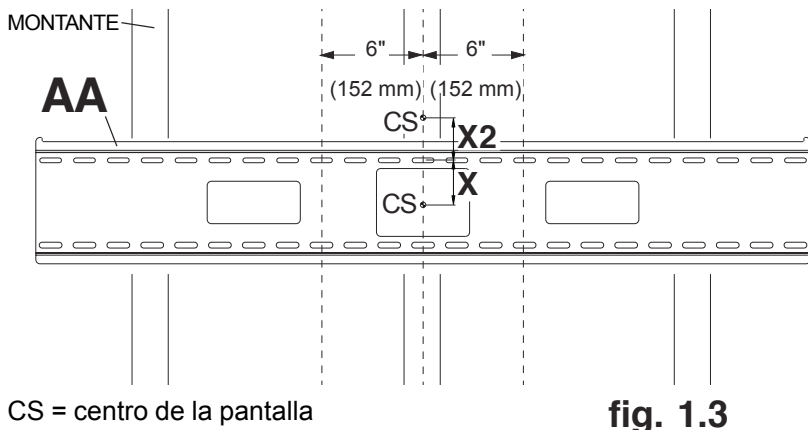


fig. 1.3

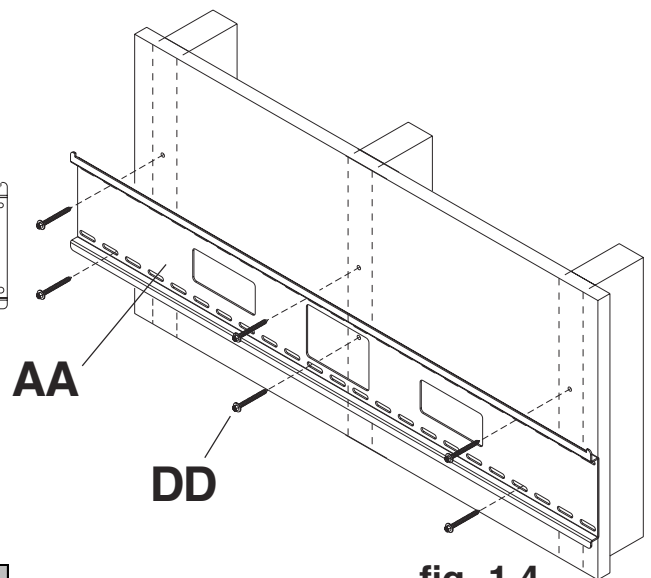


fig. 1.4

N° de modelo	Dimensión X	Dimensión X2
SF 670, SF 670-S, SF 670P, SF 670P-S	n/a	3/4" (19 mm)
SF 680, SF 680-S, SF 680P, SF 680P-S	3-3/4" (95 mm)	n/a

Instalación en una pared de concreto macizo o de bloques de hormigón de escorias

⚠ ADVERTENCIA

- Cuando instale soportes de pared Peerless en bloques de hormigón de escorias, verifique que tengan un mínimo de 1-3/8" de superficie efectiva de concreto en el agujero que va a utilizar para los anclajes de concreto. ¡No perfore en las juntas de mortero! Asegúrese de instalar el soporte en una parte sólida del bloque, generalmente a un mínimo de 1" del costado del bloque. El bloque de hormigón de escorias debe ser de conformidad con las especificaciones C-90 de ASTM. Se sugiere taladrar el agujero con un taladro eléctrico normal en velocidad lenta en vez de un taladro percutor para evitar romper la parte trasera del agujero al entrar en un espacio o cavidad.
- El concreto debe tener una densidad mínima de 2000 psi. Un concreto menos denso podría no ser capaz de sujetar el anclaje para concreto.
- El instalador debe verificar que la superficie de apoyo sea capaz de soportar firmemente la carga combinada del equipo y todos los herrajes y componentes.

- 1 Asegúrese de que la placa de apoyo (**AA**) esté nivelada, utilícela como una plantilla para marcar los cuatro agujeros de montaje. El agujero de montaje superior debe estar ubicado más arriba del centro de la pantalla deseado, como lo indica la dimensión **X** en la figura 1.1 y las tablas en las páginas 4 y 5. Taladre cuatro agujeros de 1/4" (6 mm) de diámetro hasta una profundidad mínima de 2.5" (64 mm). Inserte los anclajes (**EE**) en los agujeros a ras con la pared, como se muestra (a la derecha). Coloque la placa de apoyo sobre los anclajes y fíjela con los tornillos N°14 x 2.5" (**DD**). Nivele y después apriete todas las fijaciones.

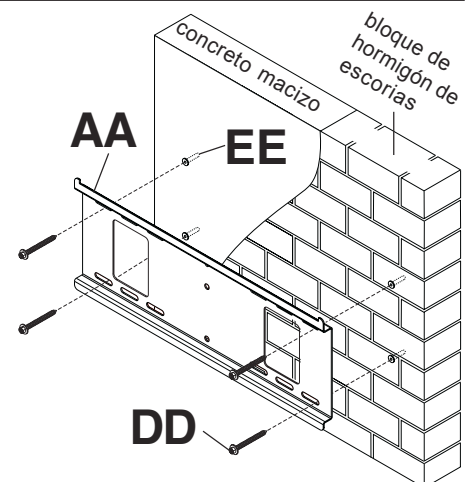
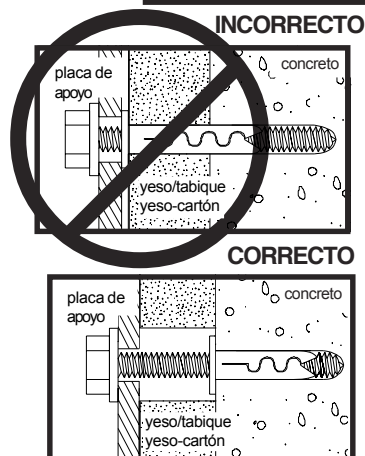
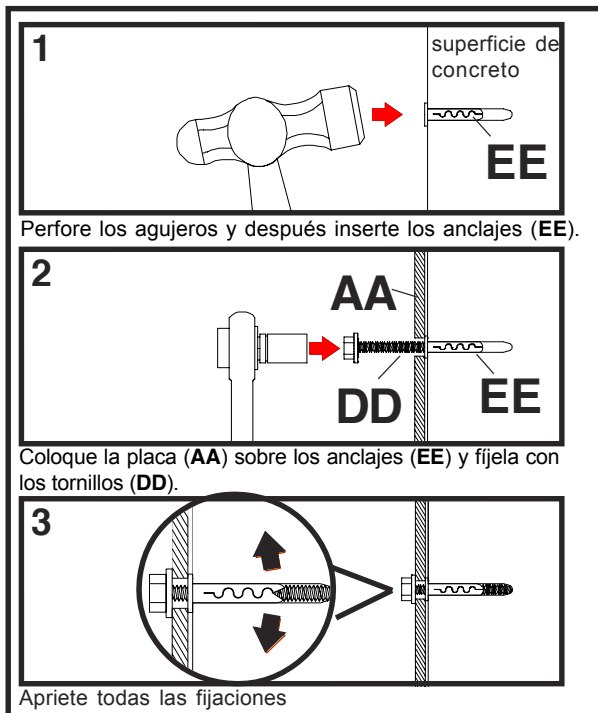
Nota: Se necesitan seis agujeros y seis juegos de fijaciones cuando se instala la placa de apoyo para un equipo cuyo peso es mayor que 200 lbs.

⚠ ADVERTENCIA

- Apriete los tornillos de tal modo que la placa de apoyo quede firmemente sujeta, pero no los apriete en exceso. El apriete excesivo puede dañar los tornillos, reduciendo enormemente su fuerza de fijación.
- Nunca apriete más de 80 pulg-lb (9 N•m).

⚠ ADVERTENCIA

- Siempre fije los anclajes de expansión directamente al concreto que soporta carga.
- Nunca fije los anclajes de expansión a una pared de concreto recubierta con yeso, tabiques de yeso-cartón u otro material de acabado. Si el montaje a superficies de concreto recubiertas con una superficie de acabado es inevitable, será necesario escariar el acabado, como se muestra más abajo. Asegúrese de que los anclajes de concreto no se alejen del concreto al apretar los tornillos. Si el grosor de la pared de yeso/tabique de yeso-cartón es mayor que 5/8", el instalador deberá suministrar fijaciones especiales.



VISTA EN CORTE

Instalación de los soportes adaptadores

Vea el **Cuadro de compatibilidad de pantallas** para determinar las fijaciones correctas que se deben usar.

- 2** Para evitar rayar la pantalla, coloque un trapo sobre una superficie plana y nivelada que soporte el peso de la pantalla. Coloque la pantalla boca abajo. Si la pantalla tiene perillas en la parte trasera, quítelas para poder fijar los soportes adaptadores. Coloque los soportes adaptadores (**BB o CC**) en la parte trasera de la pantalla, alinee con los agujeros, y centre en la parte trasera de la pantalla como se muestra en la figura 2.1. Fije los soportes adaptadores a la parte trasera de la pantalla utilizando la combinación correcta de tornillos, arandelas múltiples y espaciadores, como se muestra en la figura 2.3.

Nota: Siempre deben usarse los agujeros superiores e inferiores.

Verifique que todos los agujeros estén bien alineados, y después apriete los tornillos utilizando un destornillador phillips.

⚠ ADVERTENCIA

- Apriete los tornillos de tal modo que los soportes adaptadores queden firmemente sujetos. No apriete aplicando demasiada fuerza. El apriete excesivo puede causar daño por esfuerzo a los tornillos, reduciendo enormemente su fuerza de fijación y causando el posible desprendimiento de sus cabezas. Apriete los tornillos a 40 pulg-lb (4.5 N•m) de par torsor máximo.
- Si los tornillos no pueden atornillarse con tres vueltas completas en los insertos de la pantalla, o si los tornillos topan fondo y la placa todavía no está firmemente sujeta, se podría dañar la pantalla o causar la falla del producto.

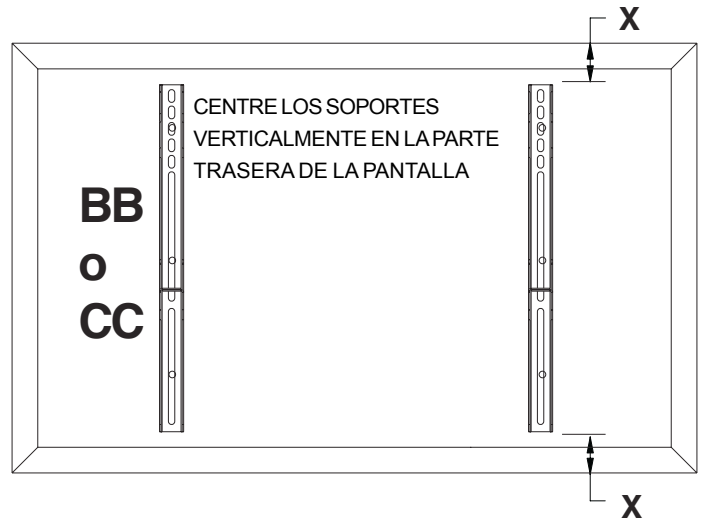
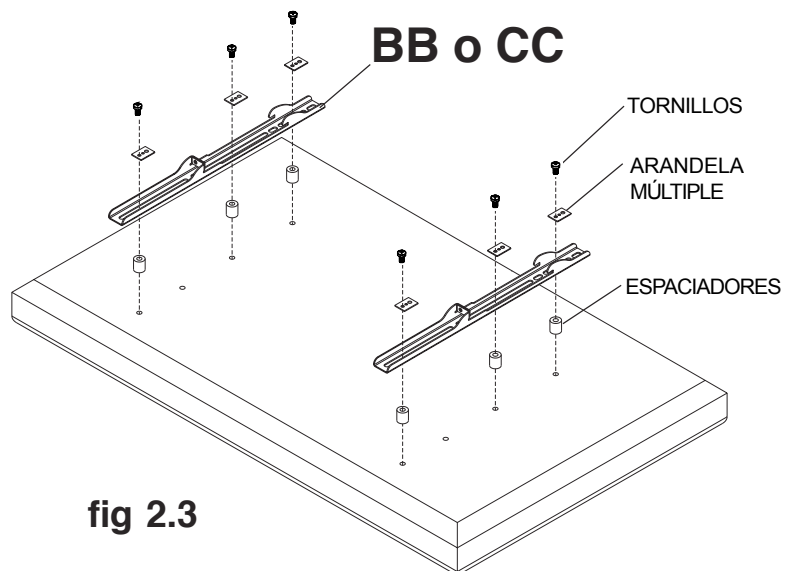
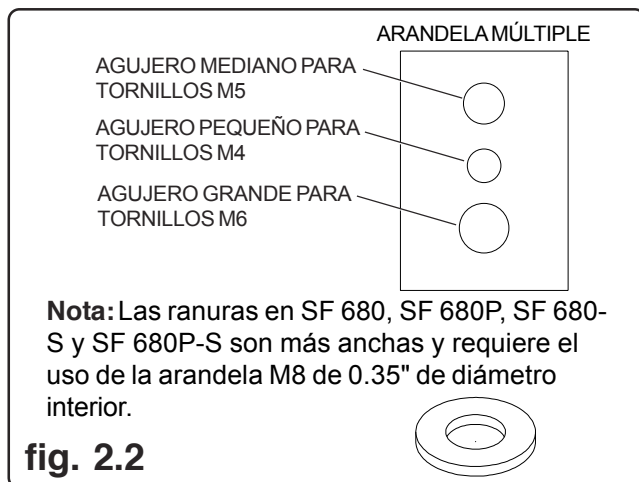


fig 2.1

Nota: Las dimensiones "X" deben ser iguales.

Notas:

- La cantidad de fijaciones utilizada variará según el tipo de pantalla.
- Es posible que no tenga que usar las arandelas múltiples y los espaciadores, dependiendo del tipo de pantalla.
- Use el agujero correspondiente en la arandela múltiple que coincida con el tamaño de su tornillo, como se muestra en la figura 2.2.



Montaje y desmontaje de la pantalla plana

- 3** Enganche los soportes adaptadores (**BB** o **CC**) en la placa de apoyo (**AA**). Después gire lentamente la pantalla hacia dentro, como se muestra. Con la ayuda de la llave allen (**FF**), gire los tornillos de seguridad en sentido horario, por lo menos seis veces, para evitar el desmontaje de la pantalla, como se muestra en el detalle 1 de la figura 3.1.

Si lo desea, la pantalla puede ajustarse en sentido horizontal, como se muestra en la figura 3.2.

Nota: Para trabar la pantalla, apriete los tornillos de seguridad a la placa de apoyo, como se muestra en el detalle 1.

Para desmontar la pantalla, afloje los tornillos de seguridad, gire la pantalla alejándola del soporte y levántela para desmontarla.

⚠ ADVERTENCIA

- Siempre solicite la ayuda de un asistente o utilice un equipo de izar mecánico para levantar y colocar el televisor de plasma con más seguridad.

ATENCIÓN

- No apriete los tornillos aplicando demasiada fuerza. El apriete excesivo podría dañar el soporte. Apriete los tornillos a 40 pulg-lb (4.5 N•m) de par torsor máximo.

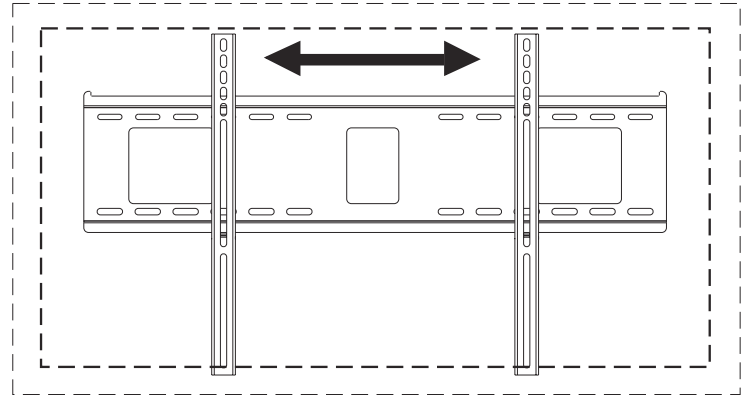


fig 3.2

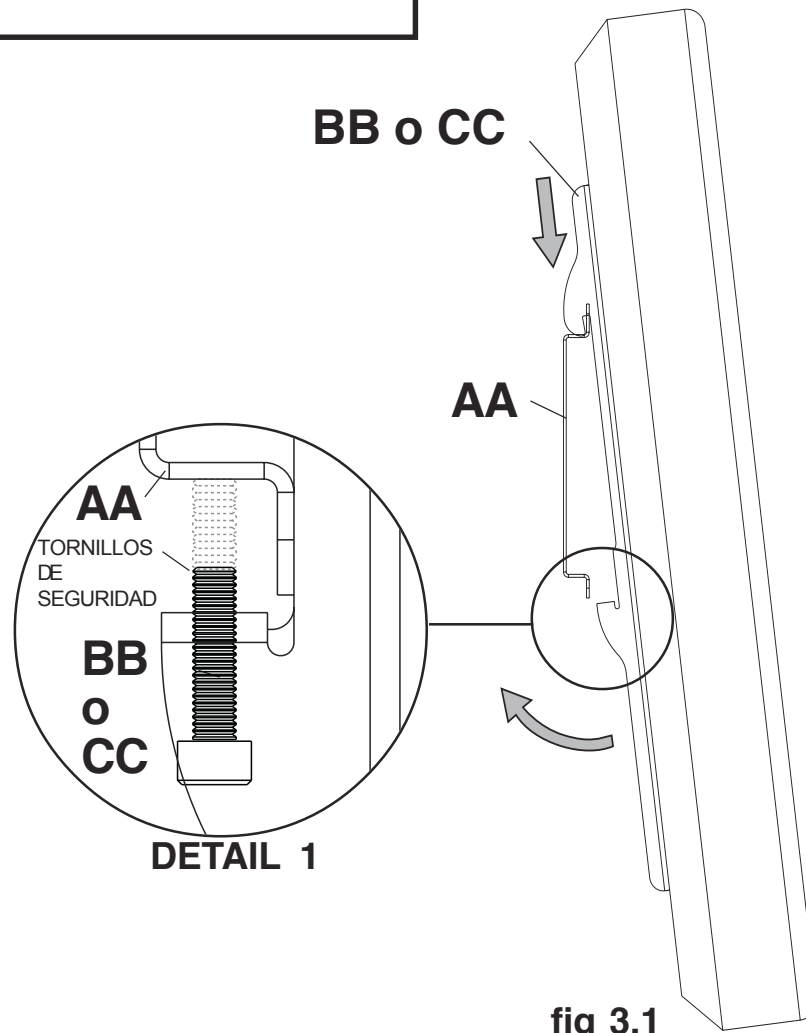


fig 3.1

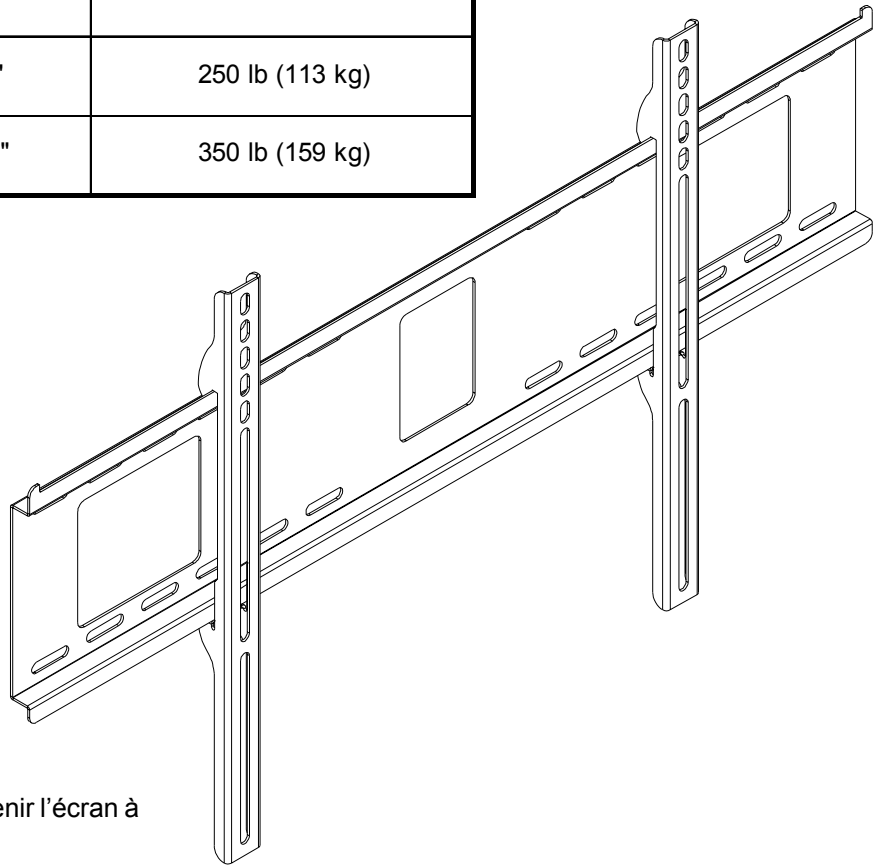
Installation et assemblage :

Monture murale universelle pour écrans plats



Ce produit est évalué par l'Underwriter's Laboratory (UL) pour la plage de dimensions d'écrans et la capacité de charge de _____ indiquées dans le tableau ci-dessous

Modèle n°	Plage de dimensions d'écrans	Capacité de charge maximale établie par l'UL :
D-FPF-220, D-FPF-220S, SF 640, SF 640-S, SF 640P, SF 640P-S, RTFPF-220, RTFPF-220S	23"-46"	150 lb (68 kg)
D-FPF-320, D-FPF-320S, SF 660, SF 660-S, SF 660P, SF 660P-S, RTFPF-320, RTFPF-320S	32"-60"	200 lb (91 kg)
SF 670, SF 670-S, SF 670P, SF 670P-S	42"-71"	250 lb (113 kg)
SF 680, SF 680-S, SF 680P, SF 680P-S	61"-102"	350 lb (159 kg)



Caractéristiques:

- Pour les écrans plats
- Conception ultra-mince permettant de maintenir l'écran à plat contre le mur
- L'écran s'accroche simplement sur la plaque murale, ce qui facilite son installation rapide
- Inclut la visserie pour l'installation sur montants en bois, béton et blocs de béton de mâchefer (OU parpaings)

Remarque : Lisez entièrement la fiche d'instructions avant de commencer l'installation et l'assemblage.

▲ AVERTISSEMENT

- Ne commencez pas à installer votre produit Peerless avant d'avoir lu et assimilé les instructions et les mises en garde contenues dans cette fiche d'installation. Pour toute question concernant les instructions ou les mises en garde, appelez le service à la clientèle de Peerless au 1-800 729-0307.
- Ce produit ne doit être installé que par une personne ayant de bonnes aptitudes en mécanique, expérimentée en travaux de construction de base, et démontrant une parfaite compréhension de ces instructions.
- Assurez-vous que la surface de support pourra soutenir sans danger la charge combinée de l'équipement, de toute sa visserie et de tous ses composants.
- Ne dépassez jamais la capacité de charge maximum établie par l'UL. Reportez-vous à la page 1.
- Si vous effectuez le montage sur un mur à montants en bois, assurez-vous que les vis de montage sont ancrées au centre des montants. L'usage d'un localisateur « bord à bord » est fortement conseillé.
- Pour lever et positionner l'équipement en toute sécurité, faites-vous toujours aider par une autre personne ou utilisez un matériel de levage mécanique.
- Serrez fermement les vis, mais sans excès. Un serrage excessif peut endommager les éléments et en réduire considérablement le pouvoir de maintien.

Outils nécessaires pour l'assemblage

- localisateur de montants (le localisateur de montants « bord à bord » est recommandé)
- tournevis cruciforme
- perceuse
- mèche de 0,62 cm (1/4 po) pour les murs en béton et les blocs de béton de mâchefer
- mèche de 1,25 cm (1/2 po) pour les murs à montants métalliques
- mèche de 0,4 cm (5/32 po) pour les murs à montants métalliques ou à montants en bois
- niveau

Accessoires

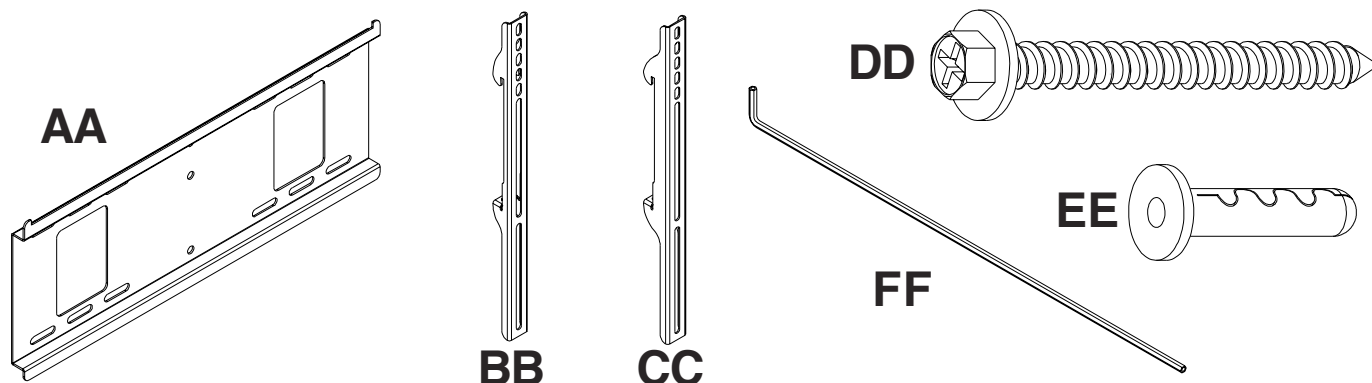
- Kit de 4 fixations pour montants métalliques (ACC 415) (Le montant métallique n'a pas été évalué par l'UL)
- Kit de 2 fixations pour montants métalliques (ACC 215) (Le montant métallique n'a pas été évalué par l'UL)

Table des matières

Liste des pièces	19
Installation sur un mur à doubles montants en bois	20
Installation sur un mur à triples montants en bois	21
Installation sur du béton plein ou un bloc de béton de mâchefer	22
Installation de supports adaptateurs	23
Installation de l'écran plat sur la plaque murale	24

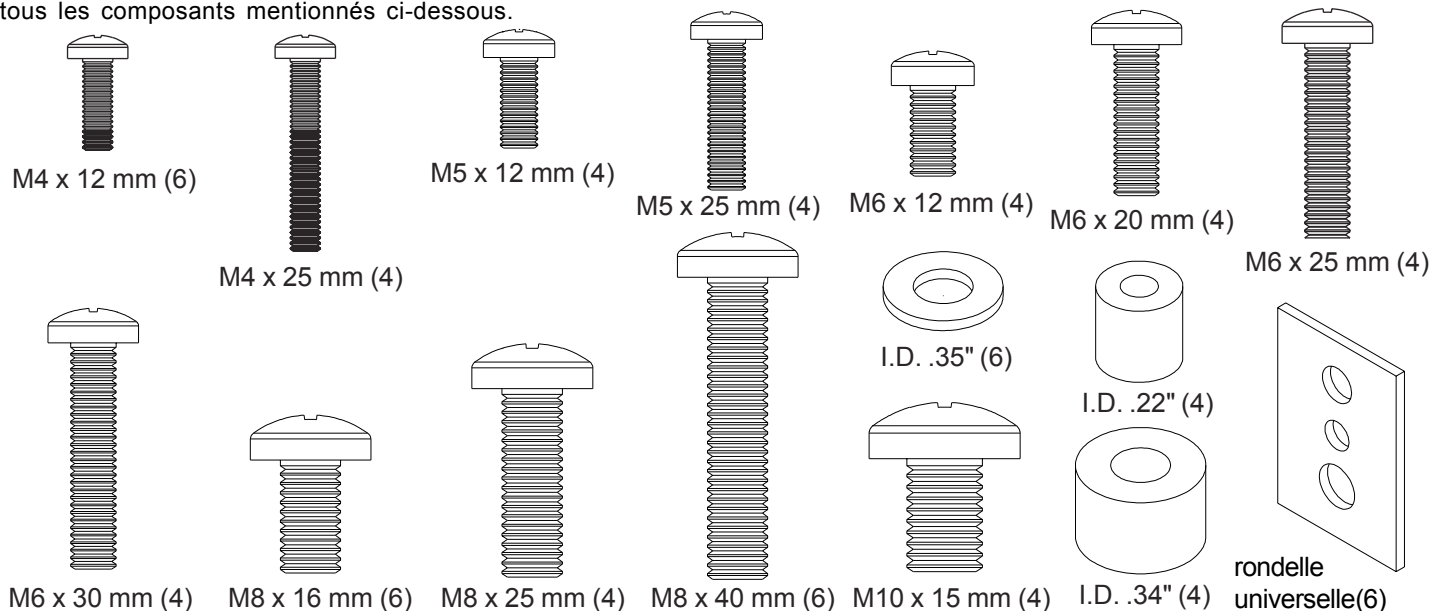
Pour le service à la clientèle, appelez le 800 729-0307 ou le (708) 865-8870.

D-FPF-220, D-FPF-220S, SF 640, SF 640-S, SF 640P, SF 640P-S, RTFPF-220, RTFPF-220S	D-FPF-320, D-FPF-320S, SF 660, SF 660-S, SF 660P, SF 660P-S, RTFPF-320, RTFPF-320S	SF 670, SF 670-S, SF 670P, SF 670P-S	SF 680, SF 680-S, SF 680P, SF 680P-S	Avant de commencer, assurez-vous que toutes les pièces indiquées sont incluses avec le produit. Il est possible que les pièces semblent légèrement différentes de celles illustrées ici.	
Liste des pièces					
				Modèle non sécurisé	
				Modèle antiviol	
Description	Qté	Noir Pièce n°	Argent Pièce n°	Noir Pièce n°	Argent Pièce n°
AA plaque murale (doubles montants) (doubles montants) (triples montants) (triples montants)	1	200-1797 201-1018 200-1901 200-1902	200-4797 201-4018 200-4901 200-4902	200-1797 201-1018 200-1901 200-1902	200-4797 201-4018 200-4901 200-4902
BB support adaptateur	2	200-0758 200-0754 200-0940 200-0944	200-0759 200-0755 200-0941 200-0945	200-0760 200-0756 200-0942 200-0946	200-0761 200-0757 200-0943 200-0947
CC support adaptateur profond	2	200-0750	200-0751	200-0752	200-0753
DD vis à bois n° 14 x 2,5	4	5S1-015-C03	5S1-015-C03	5S1-015-C03	5S1-015-C03
	6	5S1-015-C03	5S1-015-C03	5S1-015-C03	5S1-015-C03
EE ancrage Alligator®	4	590-0097	590-0097	590-0097	590-0097
	6	590-0097	590-0097	590-0097	590-0097
FF clé hexagonale 4 mm	1	560-1131	560-1131	560-1131	560-1131
	1	560-1146	560-1146	560-1146	560-1146



Fixations des supports adaptateurs

Les fixations « sorted-for-you^{MC} » ci-incluses ont été fabriquées spécialement pour votre produit et le paquet peut ne pas contenir tous les composants mentionnés ci-dessous.



Installation sur un mur à doubles montants en bois

⚠ AVERTISSEMENT

- L'installateur doit s'assurer que la surface de support pourra soutenir sans danger la charge combinée de l'équipement, de toute sa visserie et de tous ses composants.
- Serrez les vis à bois de manière que la plaque murale soit fermement fixée, mais sans excès. Un serrage excessif peut endommager les vis et en réduire considérablement le pouvoir de maintien.
- Ne serrez jamais à plus de 9 Nm (80 po-lb).
- Assurez-vous que les vis de montage sont ancrées au centre des montants. L'usage d'un localisateur de montants « bord à bord » est fortement conseillé.
- La visserie est fournie pour fixer la monture à travers une cloison sèche ou du plâtre d'épaisseur standard et dans des montants en bois. Il appartient aux installateurs de fournir la visserie nécessaire pour d'autres types de situations.

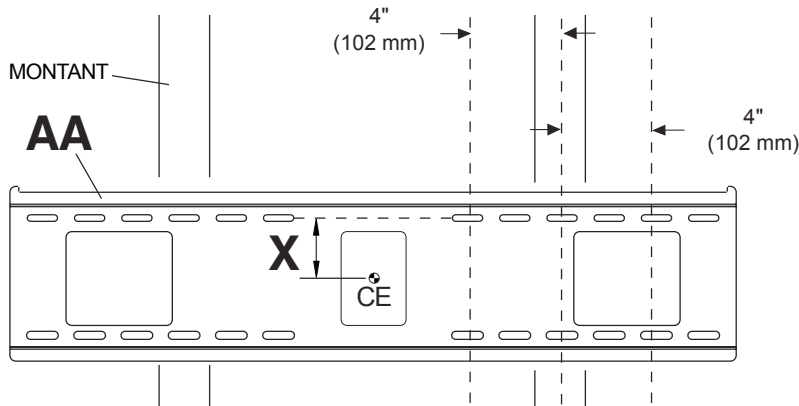
Remarque : Si le matériel de montage pèse plus de 91 kg (200 lb), il est fortement conseillé d'avoir recours au montage à triples montants.

Passez à l'étape 21.

- 1** La plaque murale (**AA**) peut être montée sur deux montants espacés de 40 cm (16 po). Utilisez un localisateur de montants pour repérer les bords des montants. L'usage d'un localisateur bord à bord est fortement conseillé. En fonction de leurs bords, tracez une ligne verticale le long du centre de chaque montant. Utilisez la plaque murale comme gabarit et placez-la sur le mur. Les fentes de montage supérieures doivent être situées au-dessus du centre de l'écran, comme indiqué par la dimension **X** sur la figure 1.1 et le tableau ci-dessous. Mettez la plaque de niveau et marquez le centre des quatre trous de montage. Assurez-vous que les trous de montage se trouvent sur les axes des montants. Percez quatre trous de 0,4 cm (5/32 po) de diamètre et de 6,5 cm (2 1/2 po) de profondeur. Assurez-vous que la plaque murale est de niveau, fixez-la à l'aide de quatre vis à bois n° 14 x 2,5 po (**DD**), comme illustré à la figure 1.2.

Remarque : La plaque murale peut être décentrée d'un maximum de 10,2 cm (4 po), comme illustré à la figure 1.1.

Passez à l'étape 2, page 23.



CE = centre de l'écran

fig. 1.1

Modèle n°	Dimension X
SF 640, SF 640-S, SF 640P, SF 640P-S, RTFPF-220, RTFPF-220S	2.5" (64 mm)
SF 660, SF 660-S, SF 660P, SF 660P-S, RTFPF-320, RTFPF-320S	4-5/8" (117 mm)

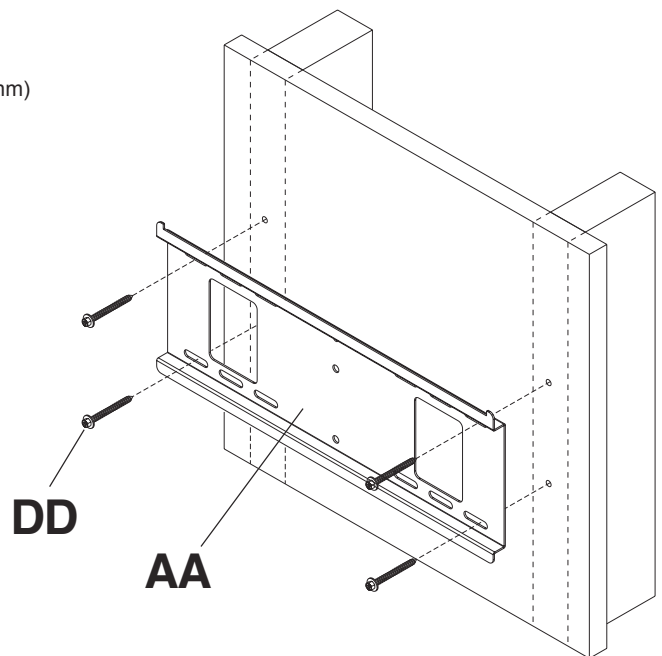


fig. 1.2

Installation sur un mur à triples montants en bois

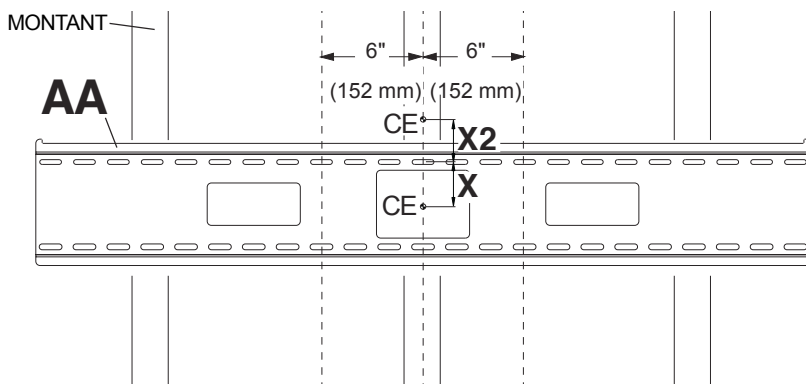
▲ AVERTISSEMENT

- L'installateur doit s'assurer que la surface de support pourra soutenir sans danger la charge combinée de l'équipement, de toute sa visserie et de tous ses composants.
- Serrez les vis à bois de manière que la plaque murale soit fermement fixée, mais sans excès. Un serrage excessif peut endommager les vis et en réduire considérablement le pouvoir de maintien.
- Ne serrez jamais à plus de 9 Nm (80 po-lb).
- Assurez-vous que les vis de montage sont ancrées au centre des montants. L'usage d'un localisateur de montants « bord à bord » est fortement conseillé.
- La visserie est fournie pour fixer la monture à travers une cloison sèche ou du plâtre d'épaisseur standard et dans des montants en bois. Il appartient aux installateurs de fournir la visserie nécessaire pour d'autres types de situations.

1 La plaque murale (**AA**) peut être montée sur trois montants espacés de 40 cm (16 po). Utilisez un localisateur de montants pour repérer les bords des montants. L'usage d'un localisateur bord à bord est fortement conseillé. En fonction de leurs bords, tracez une ligne verticale le long du centre de chaque montant. Utilisez la plaque murale comme gabarit et placez-la sur le mur. Les fentes de montage supérieures doivent être situées au-dessus du centre de l'écran, comme indiqué par la dimension **X** sur la figure 1.3 et le tableau ci-dessous. Mettez la plaque de niveau et marquez le centre des six trous de montage. Assurez-vous que les trous de montage se trouvent sur les axes des montants. Percez six trous de 0,40 cm (5/32 po) de diamètre et de 6,5 cm (2 1/2 po) de profondeur. Assurez-vous que la plaque murale est de niveau, fixez-la à l'aide de six vis à bois n° 14 x 2,5 po (**DD**), comme illustré à la figure 1.4.

Remarque : Si le matériel de montage pèse plus de 91 kg (200 lb), il est fortement conseillé d'avoir recours au montage à triples montants. En cas de montage sur deux montants espacés de 40 cm (16 po), laissez un montant ouvert au centre. La plaque murale peut être décentrée d'un maximum de 15,2 cm (6 po), comme illustré à la figure 1.3.

Passez à l'étape 2, page 23.



CE = centre de l'écran

fig. 1.3

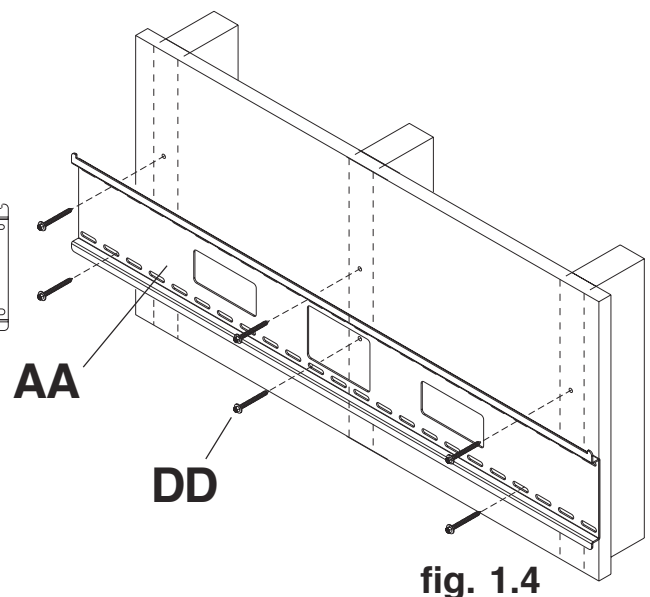


fig. 1.4

Modèle n°	Dimension X	Dimension X2
SF 670, SF 670-S, SF 670P, SF 670P-S	s/o	3/4" (19 mm)
SF 680, SF 680-S, SF 680P, SF 680P-S	3-3/4" (95 mm)	s/o

Installation sur du béton plein ou un bloc de béton de mâchefer

⚠ AVERTISSEMENT

- Si vous installez des montures murales Peerless sur un bloc de béton de mâchefer, vérifiez que vous disposez d'une épaisseur de béton d'au moins 3,4 cm (1 3/8 po) dans le trou destiné aux ancrages de béton. Ne percez pas dans les joints de mortier ! Veillez à effectuer le montage dans une partie pleine du bloc, généralement à au moins 2,5 cm (1 po) du côté du bloc. Le bloc de béton de mâchefer doit être conforme aux spécifications de l'ASTM C-90. Pour percer le trou, il est conseillé d'utiliser une perceuse électrique standard sur un réglage bas au lieu d'un marteau perforateur, afin d'éviter de briser la partie arrière du trou lorsque vous pénétrez un vide ou une cavité.
- Le béton doit avoir une densité minimum de 2 000 psi. Un béton de densité moindre risquerait de ne pas retenir un ancrage de béton.
- Assurez-vous que la surface de support pourra soutenir sans danger la charge combinée de l'équipement, de toute sa visserie et de tous ses composants.

1 Assurez-vous que la plaque murale (AA) est de niveau, utilisez-la comme gabarit pour marquer les quatre trous de montage. Les fentes de montage supérieures doivent se trouver au-dessus du centre de l'écran, comme illustré par la dimension X sur la figure 1.1 et les tableaux des pages 4 et 5. Percez quatre trous de 0,6 cm (1/4 po) de diamètre à une profondeur minimum de 6,4 cm (2,5 po). Insérez les ancrages (EE) dans les trous au ras du mur, comme illustré (à droite). Placez la plaque murale sur les ancrages et fixez avec des vis n° 14 x 2,5 po (DD). Mettez-la de niveau, puis serrez toutes les fixations.

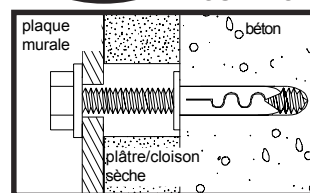
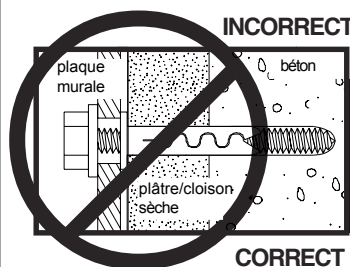
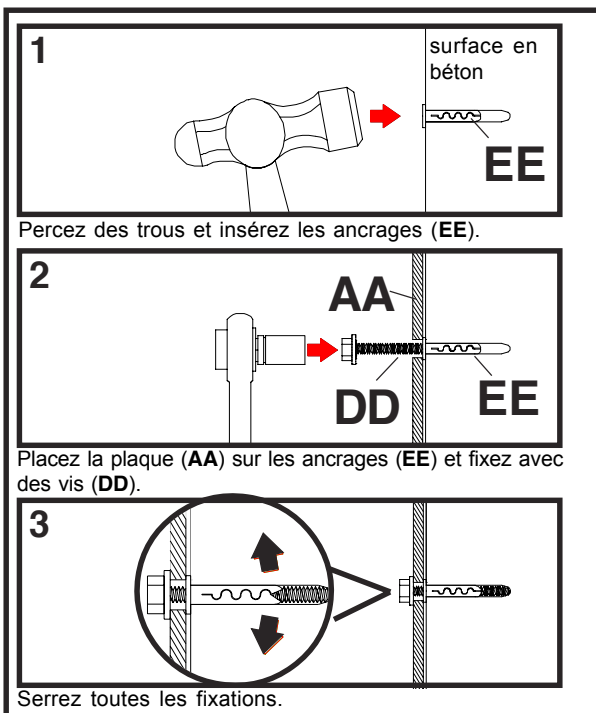
Remarque : Pour un matériel pesant plus de 91 kg (200 lb), le montage de la plaque murale exige six trous et six jeux de fixations.

⚠ AVERTISSEMENT

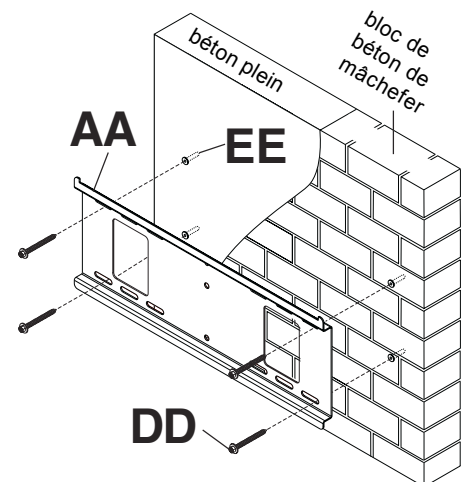
- Serrez les vis de manière que la plaque murale soit fermement fixée, mais sans excès. Un serrage excessif peut endommager les vis et en réduire considérablement le pouvoir de maintien.
- Ne serrez jamais à plus de 9 Nm (80 po-lb).

⚠ AVERTISSEMENT

- Fixez toujours des ancrages de béton directement sur du béton porteur.
- Ne fixez jamais d'ancrages sur du béton recouvert de plâtre, une cloison sèche ou autre matériau de finition. Si vous ne pouvez pas éviter d'effectuer le montage sur une surface de finition, celle-ci doit être chambrée, comme indiqué ci-dessous. Assurez-vous que les ancrages de béton ne se séparent pas du béton lorsque vous serrez les vis. Si l'épaisseur du plâtre / de la cloison sèche dépasse 1,5 cm (5/8 po), des fixations adaptées devront être fournies par l'installateur.



VUE EN COUPE



Installation des supports adaptateurs

Le **Tableau de compatibilité d'écrans** permet de déterminer quelles fixations utiliser.

- 2** Pour éviter de rayer l'écran, placez un chiffon sur une surface plate et horizontale capable de soutenir le poids de l'écran. Placez l'écran sens dessus dessous. Si l'écran est muni de boutons à l'arrière, enlevez-les pour pouvoir fixer les supports adaptateurs. Placez les supports adaptateurs (**BB** ou **CC**) à l'arrière de l'écran, alignez-les sur les trous et centrez-les sur l'arrière de l'écran, comme illustré à la figure 2.1. Fixez les supports adaptateurs à l'arrière de l'écran à l'aide d'un ensemble approprié de vis, de rondelles universelles et de pièces d'écartement, comme illustré à la figure 2.3.

Remarque : Les trous supérieurs et inférieurs doivent toujours être utilisés.

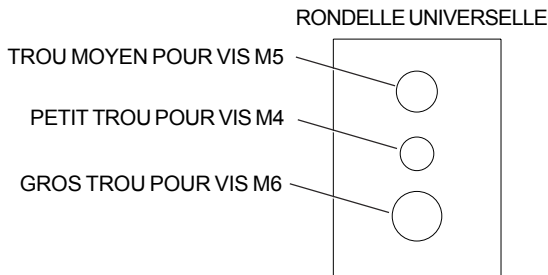
Vérifiez que tous les trous sont correctement alignés, puis serrez les vis à l'aide d'un tournevis cruciforme.

⚠ AVERTISSEMENT

- Serrez les vis de manière que les supports adaptateurs soient solidement fixés. N'employez pas une force excessive pour serrer. Un serrage excessif peut causer des contraintes risquant d'endommager les vis, de réduire considérablement leur pouvoir de maintien et de décoller les têtes des vis. Serrez les vis à un couple maximum de 4,5 Nm (40 po-lb).
- Si les vis ne sont pas enfoncées de trois tours complets dans les inserts ou si elles sont serrées au maximum sans parvenir à maintenir solidement le support, l'écran peut être abîmé ou le produit détérioré.

Remarques:

- Le nombre de fixations utilisées varie suivant le type d'écran.
- Il est possible que les rondelles universelles et les pièces d'écartement ne soient pas utilisées, suivant le type d'écran.
- Utilisez le trou de la rondelle universelle correspondant à la dimension de la vis que vous utilisez, comme illustré à la figure 2.2.



Remarque : Sur les modèles SF 680, SF 680P, SF 680-S, et SF 680P-S, les fentes sont plus larges et nécessitent l'usage de rondelles M8 d'un diamètre intérieur de 0,89 cm (0,35 po).

fig. 2.2

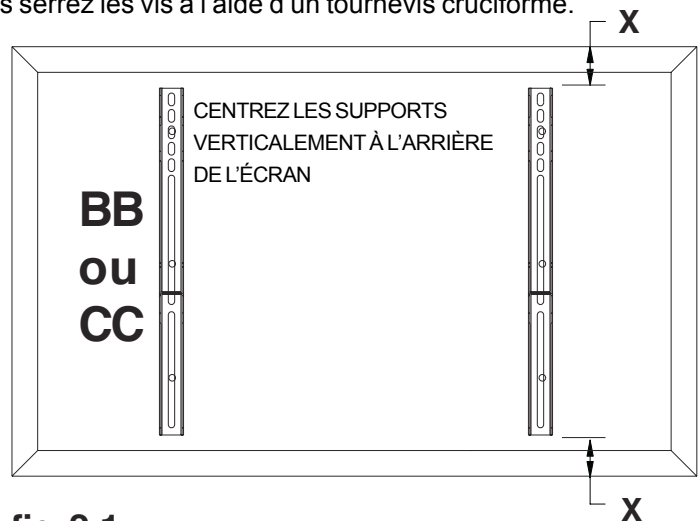


fig 2.1

Remarque : Les dimensions « X » doivent être égales.

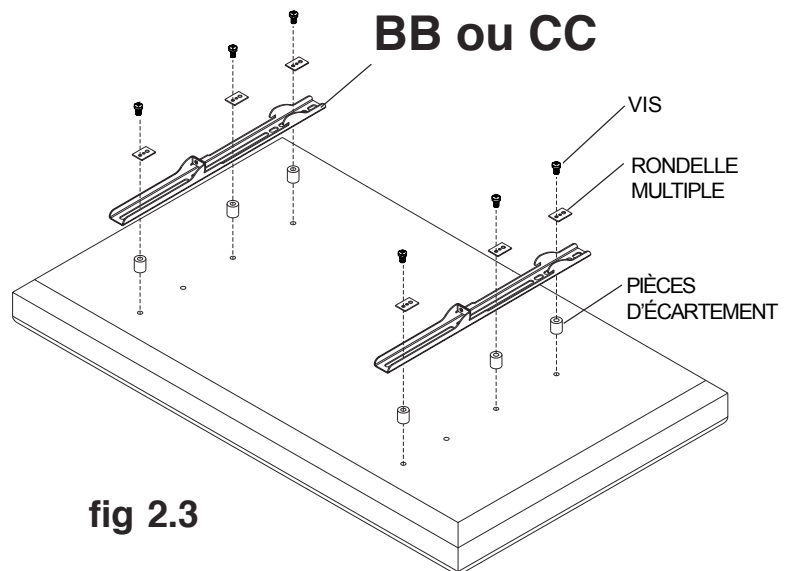


fig 2.3

Montage et démontage de l'écran plat

- 3** Accrochez les supports adaptateurs (**BB** ou **CC**) sur la plaque murale (**AA**). Ensuite, faites pivoter lentement l'écran vers l'intérieur, comme illustré. À l'aide de la clé hexagonale (**FF**), tournez les vis de sécurité dans le sens horaire au moins six fois pour empêcher l'écran de se détacher, comme illustré sur le plan détaillé 1 de la figure 3.1.

Au besoin, l'écran peut être ajusté horizontalement, comme illustré à la figure 3.2.

Remarque : Pour bloquer l'écran, serrez les vis de sécurité sur la plaque murale, comme illustré sur le plan détaillé 1.

Pour enlever l'écran de la monture, desserrez les vis de sécurité, faites pivoter l'écran pour l'écarter de la monture et soulevez-le de la monture.

⚠ AVERTISSEMENT

- Pour lever et positionner l'équipement en toute sécurité, faites-vous toujours aider par une autre personne ou utilisez un matériel de levage mécanique.

ATTENTION

- N'employez pas une force excessive pour serrer les vis. Un serrage excessif peut endommager la monture. Serrez les vis à un couple maximum de 4,5 Nm (40 po-lb).

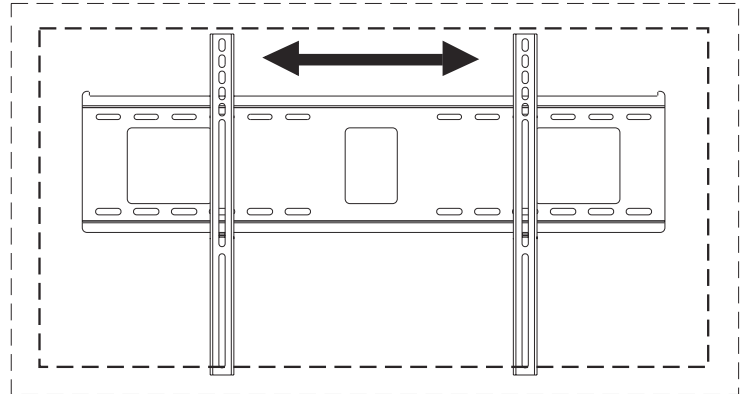


fig 3.2

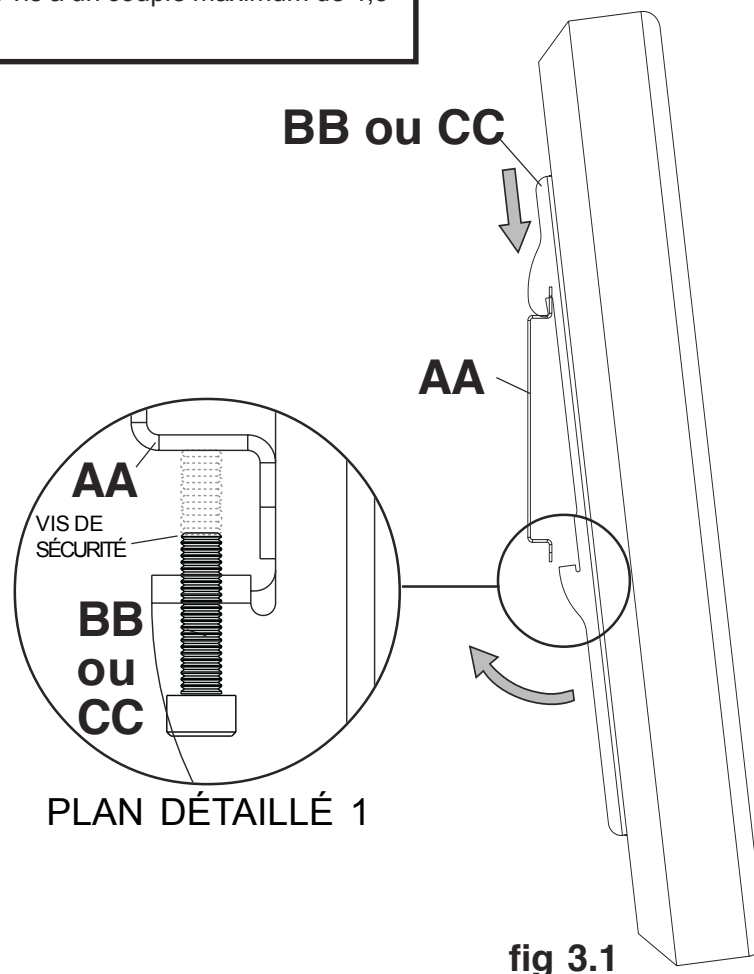


fig 3.1

Appendix 2 – Technical data sheet for AVT industrial camera

AVT Guppy F-033B / F-033C



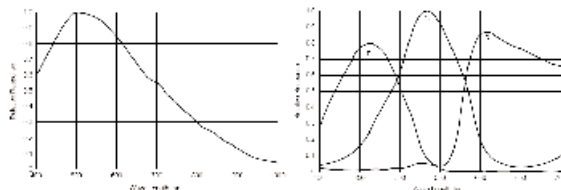
Small - easy - ingenious: Analog goes Guppy.

The AVT Guppy camera family is distinguished by an IEEE 1394 interface and an extremely compact design. It consists of ten different camera variants (each available in b/w and color) and, with a wide variety of sensors and bandwidths, offers the right solution for nearly any conceivable application. The Guppy is available optionally in a casing or board version (upon request) and therefore fits in the smallest spaces. A selection of high-quality, sensitive sensors (CCD, CMOS) help the Guppy provide outstanding image quality and true color. Four additional interlaced versions (EIA, CCIR) make it even more attractive to switch from analog to digital image processing. Due to its modularity and remarkable price/performance ratio, for many applications the Guppy is the ideal way to make the move to digital image processing.

Highlights

- IEEE 1394a
- VGA (656 x 494)
- Up to 58 fps (full resolution)
- Progressive scan CCD, monochrome and color
- True partial scan (higher frame rates by smaller AOI)
- Flexible AOI, flexible speed (full Format_7 support)
- Asynchronous image trigger
- Image preprocessing features:
 - Auto controlled gain, exposure, white balance (separate reference AOI)
 - Programmable LUT
 - And lots more ...
- Smart frame grabber features:
 - Single-shot, multi-shot, free-run
 - 1 prog. input / 3 prog. outputs
 - On-board RS-232 port
 - And lots more ...
- Industry proven and robust housing
- C-Mount /CS-Mount (convertible via adapter)
- OEM board level version, customized housings

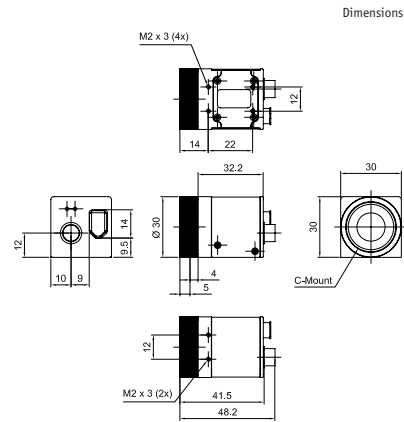
AVT Guppy F-033B / F-033C



Sensor specifications b/w; color
(extracted from the data sheet of the sensor - excluding lens and filter)

Pin	Signal
1	CameraOut1
2	CameraOut2
3	CameraOut3
4	CameraIn
5	RxD_RS232
6	TxD_RS232
7	External Power
8	GND

AOI height / pixel	Frame rate / fps
480	60
240	100
120	152
60	204
30	245



Dimensions

Connections



Camera Specifications

	Guppy F-033B (b/w)	Guppy F-033C (color)
Image device	Type 1/3 (diag. 6 mm) progressive scan, SONY CCD	
Effective picture elements	658 (H) x 494 (V)	
Picture size	Up to 656 x 494 pixels	
Cell size	7.4 μm x 7.4 μm	
Resolution depth	8 bit (10 bit ADC)	
Lens mount	C-Mount /CS-Mount (convertible via adapter)	
Digital interface	IEEE 1394 IIDC v. 1.3, single port	
Transfer rate	100 Mbit/s, 200 Mbit/s, 400 Mbit/s	
Frame rates	Up to 58 fps (full frames)	
Gain control	Manual: 0-24 dB (0.0351 dB/step); auto gain (select. AOI)	
Shutter speed	20 μs...67s; auto shutter (select. AOI)	
External trigger shutter	Programmable, trigger-level controlled, bulk mode (1 trigger, n shots), programmable trigger delay	
Smart features	AGC (Auto Gain Control), AEC (Auto Exposure Control), only color: AWB (Auto White Balance), LUT, 1 config. input, 3 config. outputs, RS-232 port (serial port, IIDC v. 1.31)	
Power requirements	DC 8 V – 36 V via IEEE 1394 cable or 8-pin HIROSE	
Power consumption	Less than 2 watt (@ 12V DC)	
Dimensions	48.2 mm x 30 mm x 30 mm (L x W x H), w/o tripod and lens	
Mass	< 50 g (without lens)	
Operating temperature	+5... + 50° Celsius without condensation	
Storage temperature	-10... + 60° Celsius without condensation	
Regulations	EN 55022, EN 61000, EN 55024, FCC Class B, DIN ISO 9022, RoHs (2002/95/EC)	
Options	Board level version, power out (HIROSE), AVT FirePackage/Direct FirePackage/Fire4Linux	

Appendix 3 – Optics data sheets



[log in](#) | [my account](#) | [catalog request](#) | [express order](#)

CHECKOUT | 0 items

GO advanced search

[home](#) | [online catalog](#) | [technical support](#) | [capabilities](#) | [about us](#)

[home](#) : [online catalog](#) : [machine vision](#) : [lenses](#) : Infinite Conjugate MVO® μ-Video™ Imaging Lenses

Infinite Conjugate MVO® μ-Video™ Imaging Lenses

[[Specification Table](#) | [Helpful Literature](#) | [Product Matrix](#) | [Technical Images](#)]



- 1.7 to 25.0mm Focal Length
- Multi-Element Design
- Large Field Coverage



Designed for use in micro CCD board cameras, these lenses provide excellent image quality in a small, versatile package. Optimized to cover 1/3" CCD formats (except #56-774), they are an ideal choice for wide angle and close focus applications. All lenses are threaded for M12 x 0.5. For use with monochrome cameras only. Lenses are designed for the 400nm to 700nm range. Ideal for use with our [OEM Board Cameras](#).

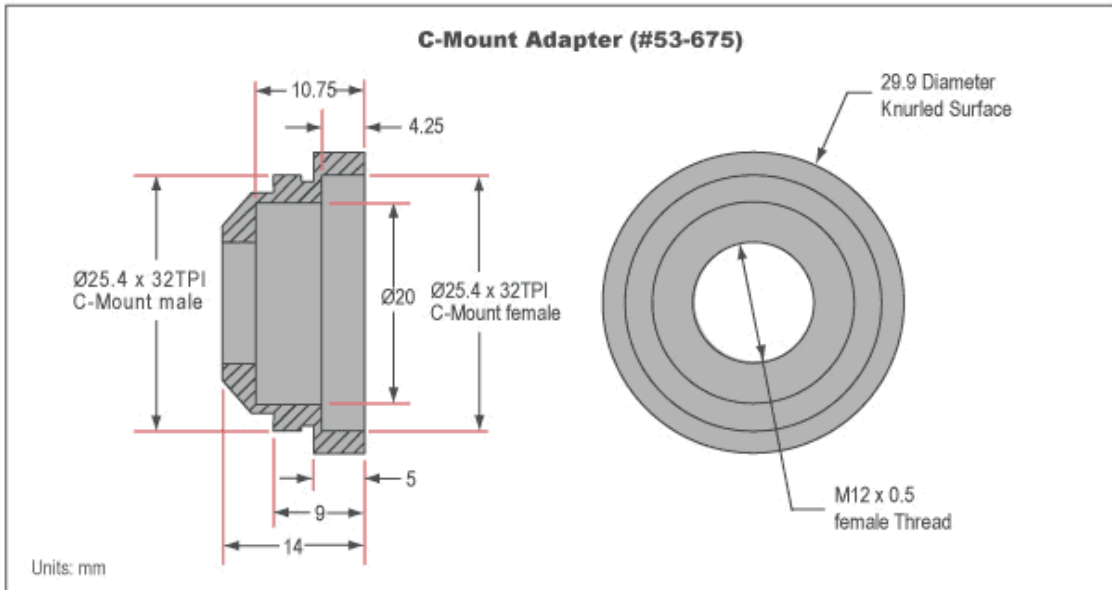
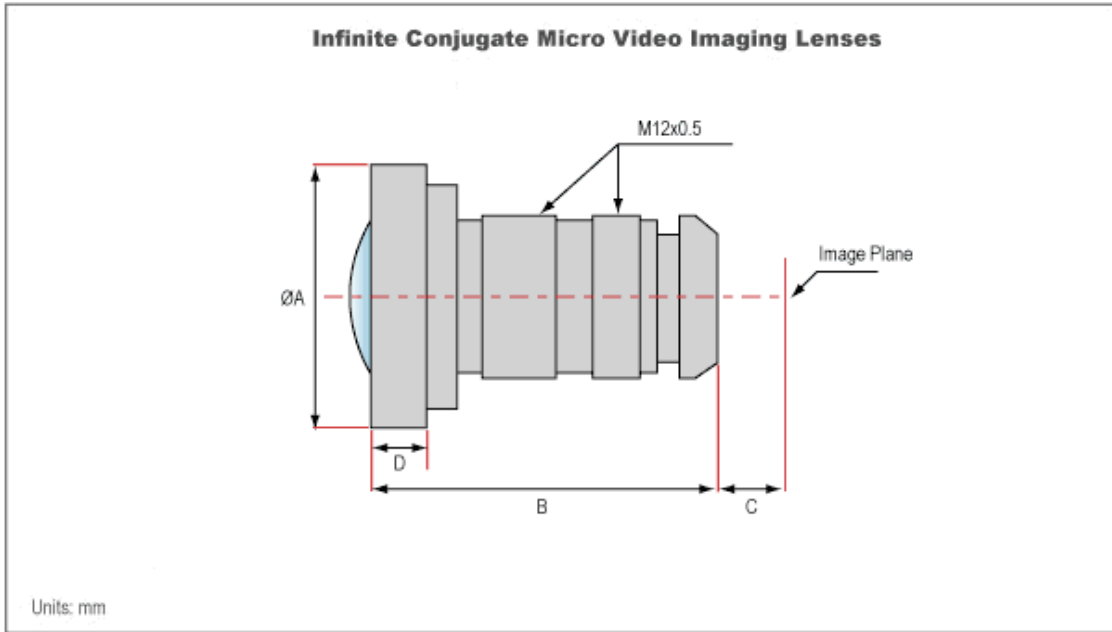
For information regarding distortion, please see our article [Manipulating Distortion out of Your Image](#) and our [distortion illustration](#).

Specification Table

Focal Length (mm)	Max. CCD Format	f / #	Angular FOV*	Min. Working Distance	Distortion @ Full Field	Max. Res.*** (lp/mm)			A (mm)	B (mm)	C (mm)	D (mm)	Mounting Thread
						On Axis	0.7 Field	Full Field					
1.68	1/4"	2.5	132.9°	400mm	-83.90%	169 lp/mm	80 lp/mm	---	15.0	13.2	3.3	2.8	M12 x 0.5
1.7	1/4"	2.8	109°	400mm	-60%	124	87	30	21.0	19.6	4.0	3.2	M12 x 0.5
2.2	1/3"	2.5	130°	400mm	-48.5%	100**	63**	40**	17.0	18.3	4.8	3.7	M12 x 0.5
2.27	1/3"	2.0	122.8°	400mm	---	---	---	---	15.0	13.7	5.5	3.8	M12 x 0.5
2.5	1/3"	2.5	112°	400mm	-60%	63	48	30	17.0	20.1	4.6	3.8	M12 x 0.5
2.9	1/3"	2.0	96°	400mm	-36.0%	63	63	40	15.0	18.0	5.2	6.4	M12 x 0.5
3.0	1/3"	2.0	98.7°	400mm	-52.10%	97 lp/mm	62 lp/mm	35 lp/mm	14.0	15.1	5.3	3.9	M12 x 0.5
3.6	1/3"	2.0	72°	400mm	---	---	---	---	14.0	16.1	4.4	4.0	M12 x 0.5
3.9	1/3"	2.0	74°	400mm	-29%	88	54	46	14.0	16.0	5.9	4.0	M12 x 0.5
4.3	1/3"	1.8	60°	300mm	-24.2%	70	50	30	15.0	13.8	3.3	3.3	M12 x 0.5
6.0	1/3"	1.7	44°	400mm	-10%	72	55	46	15.0	15.3	8.0	6.0	M12 x 0.5
6.4	1/3"	2.4	42.2°	400mm	-2.40%	80	63	25	14.8	13.1	5.3	3.3	M12 x 0.5
8.0	1/3"	2.5	30.9°	800mm	<-3.0%	80	63	63	15.0	13.5	5.8	3.0	M12 x 0.5
10.1	1/2"	2.8	36°	400mm	-0.57%	81 lp/mm	54 lp/mm	64 lp/mm	15.0	13.4	6.1	3.2	M12 x 0.5
12.0	1/3"	2.0	22.3°	800mm	-0.15%	63	60	60	14.0	12.0	6.4	4.0	M12 x 0.5
25.0	1/3"	2.5	10.7°	200mm	-0.46%	83	58	58	25.0	23.5	8.0	6.7	M12 x 0.5
35.0	2/3"	2.0	17°	200mm	-1.10%	160 lp/mm	100 lp/mm	80 lp/mm	25.0	23.4	15.8	16.4	M12 x 0.5
50.0	1/2"	2.5	6.8°	400mm	-1.20%	160 lp/mm	100 lp/mm	80 lp/mm	27.0	48.8	8.0	41.8	M12 x 0.5

* Angular FOV is listed as horizontal field for max. Sensor format.

***Measured at 20% contrast



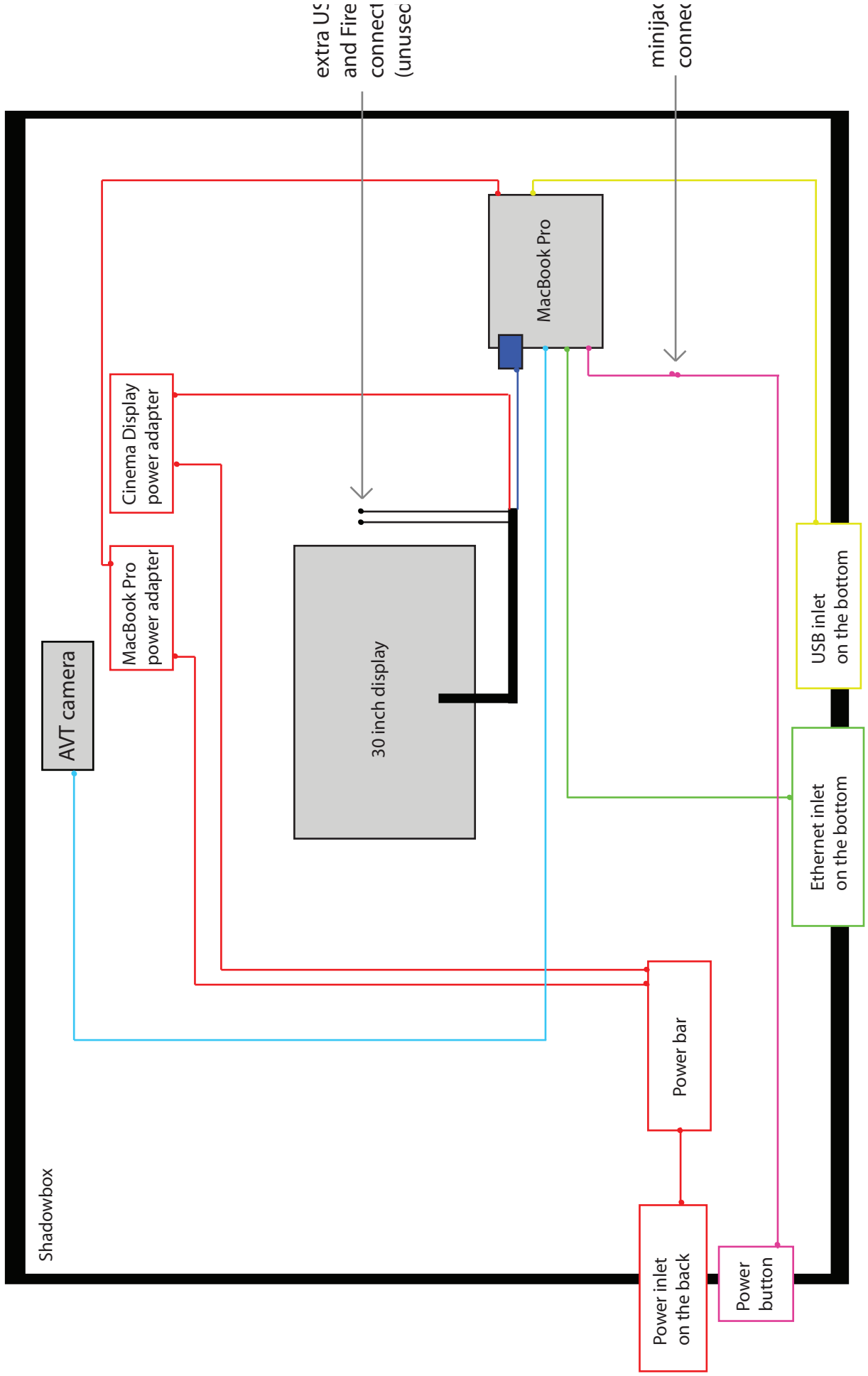
[privacy policy](#) | [terms & conditions](#) | [home](#) | [contact us](#) | [about us](#) | [feedback](#) | [clear site selection](#) | [help center](#)

Copyright 2006, [Edmund Optics Inc.](#)
 101 East Gloucester Pike, Barrington, NJ/USA 08007-1380
 Phone: (800) 363-1992, Fax: (856) 573-6295

Site co-developed by [InterActive Network Systems](#)
 P.O. Box 1429, Blackwood, NJ 08012 USA
 Phone: (856) 227-4428

Appendix 4 – Shadowbox cabling diagram

- Power
- DVI video
- Firewire
- Ethernet
- USB
- Button circuit



Macbook Power Supply

F033 AVT Camera

Display Power Supply

MagSafe Power Adapter

MacBook Pro

Dual-DVI port (connects to Display)

Ethernet port (connects to ethernet inlet on bottom)

Firewire port (connects to AVT Camera)

USB port (connects to USB inlet on bottom)

mini-jack connection (connects to Power Button)

Ethernet Port (on bottom of Shadow Box)

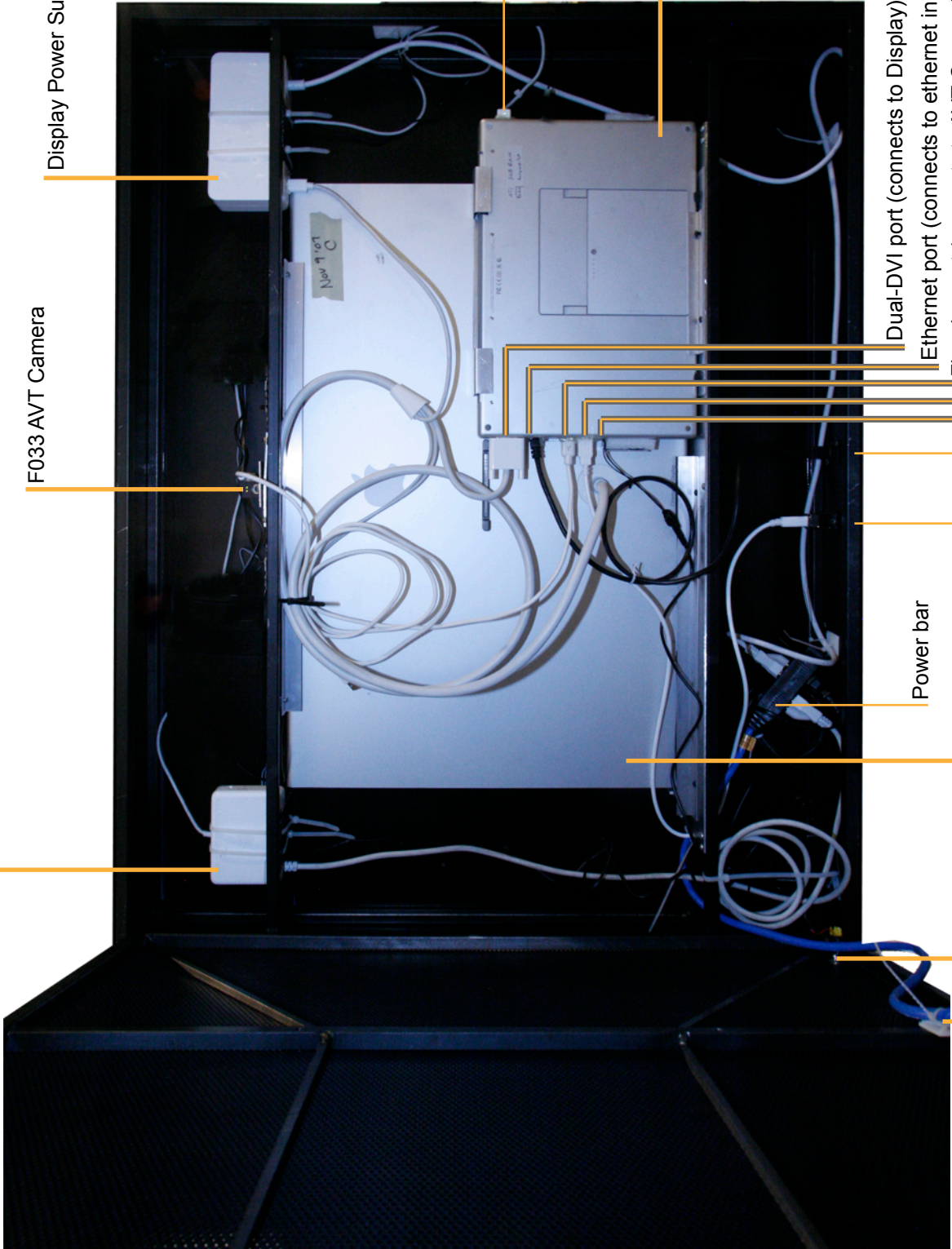
USB Port (on bottom of Shadow Box)

Power bar

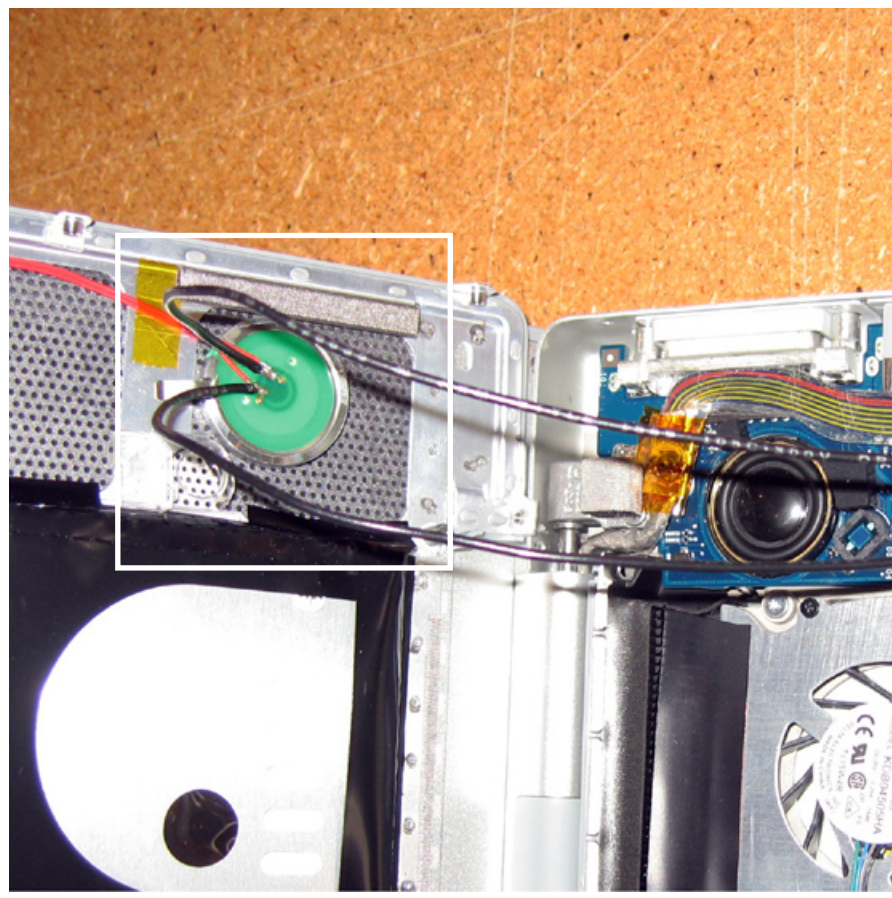
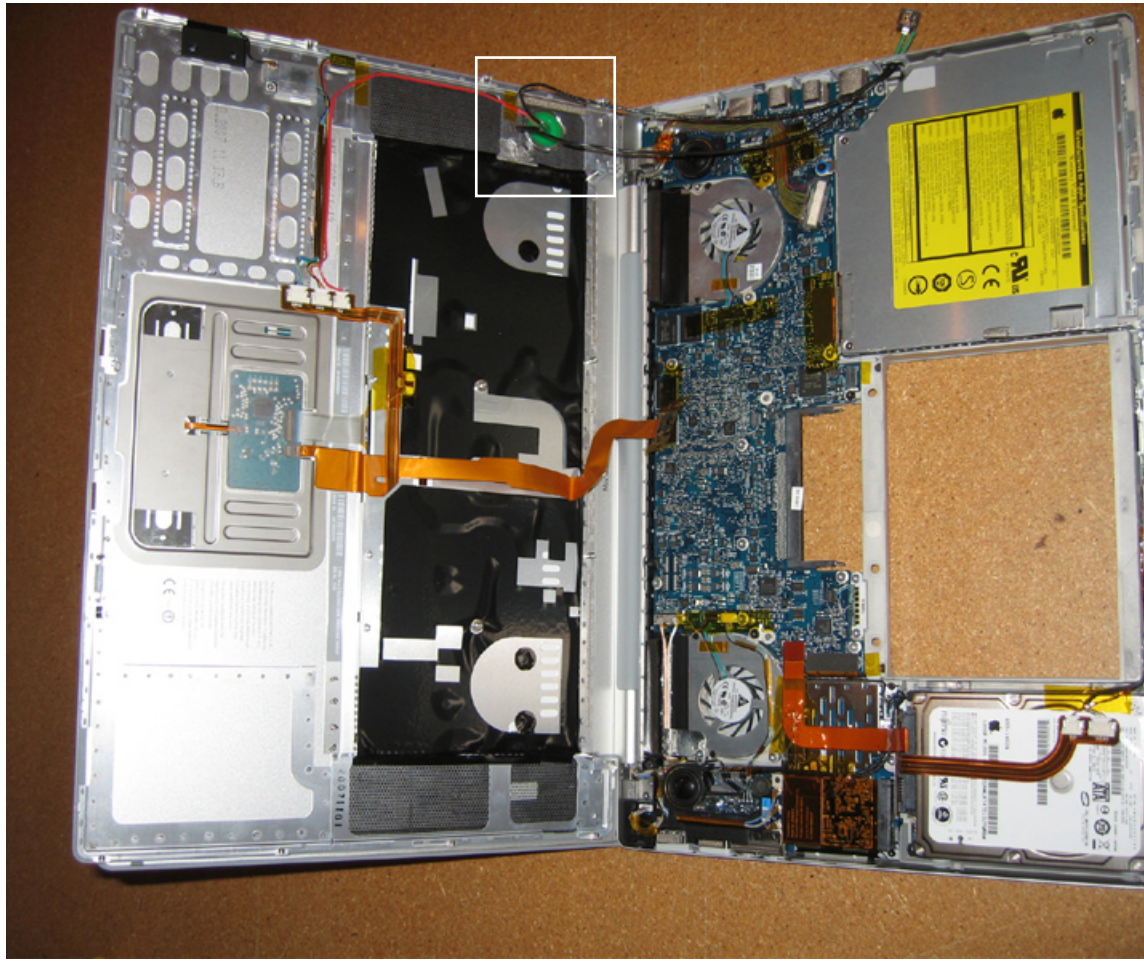
Apple Cinema 30 inch Display

Power Button

Power inlet



Internal wiring of the external power button



Bootcamp + Drivers

Windows XP + SP2

Mac OS X

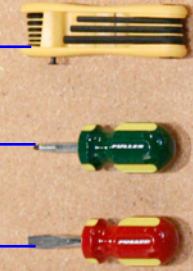
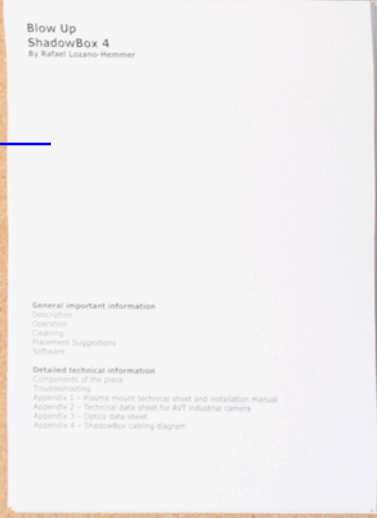
Software for Art Piece

Flathead Screwdriver (use to open Shadow Box)

Robertson Screwdriver (use for MacBook mount)

Allen key kit (use to remove box's top)

Shadow Box Manual



Screws (use to hang Peerless wall mount on the wall)

Long Allen Key (use to secure Shadow Box to Peerless wall mount)

USB mouse

USB Hub (use if mouse and keyboard are needed at the same time)

Power Cable (connects to back of Shadow Box)

small USB Keyboard